

Structured Cabling Product Catalog





Since 2002

Infinique started as designer and manufacturer of video surveillance solutions, when video was predominantly analog.

As our products evolved and transitioned to digital video over IP there was a need for quality network backbone cabling and components to support the bandwidth intensive application.

The end result was Infinique providing complete structured cabling solution to support video applications and beyond.

Open Architecture That Can Address Your Current And Future Security Needs

Infinique offers an end-to-end copper and fiber solution that meets and exceeds the latest industry standards for data and telecommunication networks and gigabit Ethernet. Our products are designed for reliability, optimal performance of current network infrastructure and provides foundation for future growth.

Copper Cables

Infinique provides a wide range of copper cables for use in high-speed data transmission and telephony. The cables are UL listed for safety and Intertek ETL verified for performance and meet or exceed the cabling industry standards.

Copper Components

The copper system product line is complemented with various high quality performing components like patch cords, patch panels, keystone jacks and RJ45 plugs that are used in video, data and voice network infrastructure.

Accessories

To complement the copper systems product line, we offer face plates, floor brackets, unloaded panels, cable management and enclosures.

Fiber Optic Cables

Our fiber optic cabling solution assures superior performance and smooth operation of network reducing the total cost of ownership. The product line includes a complete range of multimode, singlemode FTTH and backbone cables in various constructions, suitable for both indoor and outdoor applications. Infinique fiber optic cables are UL listed for OFCR and OFNR safety standards and are third party certified for performance.

Fiber Optic Components

Fiber components product line of Infinique comprises of adapters, field connectors, pre-terminated pigtails, patch cords, PLC splitters, micro ODFs, mini ODFs, direct splice cabinets, wall mount cabinets, patch panels, high density chassis, high density splitter cabinets and MPO/MPT solution. All components are factory terminated and fully tested to ensure fast deployment and excellent reliability.

TABLE OF CONTENTS

COPPER SYSTEMS

Ethernet Cables

Category 8.1

Category 7

Category 6A

Category 6

Keystone Jacks

Category 8.1

Category 6A

Category 6

Patch Cords

Category 8.1

Category 6A

Category 6

Patch Panels

Unloaded

Loaded

Voice Solutions

Category 3 Cable

Voice Patch Panel

Category 5e, 110 Type Connectors

Face Plates and Modules

UK Style

NA Style

Floor Mount

Cable Managers

Ring

Panel

Accessories

RJ45 Plugs

FIBER SYSTEMS

Fiber Cables

FTTH

Central Loose Tube

Stranded Loose Tube

Stranded Rodent Resistant

Stranded Armored

Steel Wire Armored

Distribution

Fiber Components

Fiber Patch Cord

Fiber Pigtail

Fiber Adapter

Fiber Enclosures

Fiber Patch Panel

Optical Distribution Frame

Splice Enclosure

PLC Optical Splitter

SC APC

LC APC

Accessories

Splice Protection Sleeve

Splice Tray

Blanking Plug



ETHERNET CABLES



Category 8.1 SFTP

Features

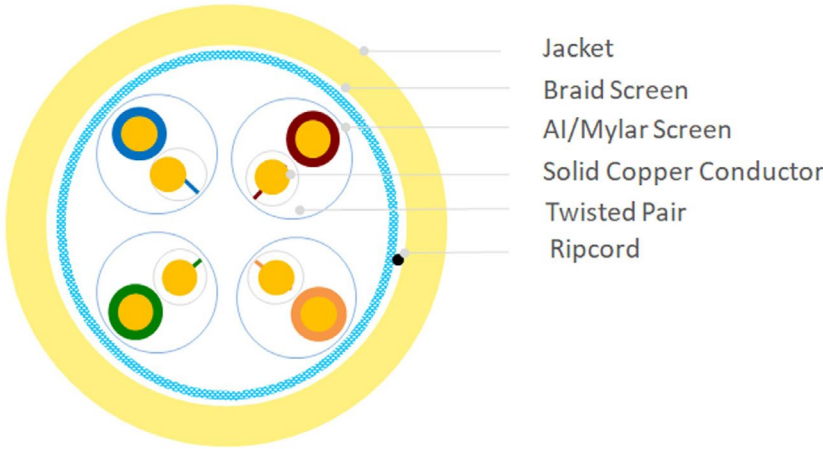


Category 8.1 SFTP Cable 4 Pair 100 ohms
EC Verified IEC 61156-5:2020 TIA-568.2-D:2018 Category 8.1
UL Listed, RoHS Compliant
2000 MHz for 30 m Channels 25G/40G
Supports PoE, PoE+, PoE++
Packing Type is Reel

Part Number	Description	Jacket	Length	Color	Explore
INC81S4YWL-500	Cat.8.1 SFTP Cable	LSOH	500m/1640ft	Yellow, RAL1026	
INC81S4YWL-305	Cat.8.1 SFTP Cable	LSOH	305m/1000ft	Yellow, RAL1026	
INC81S4YWL-153	Cat.8.1 SFTP Cable	LSOH	153m/500ft	Yellow, RAL1026	
INC81S4YWR-500	Cat.8.1 SFTP Cable	CMX	500m/1640ft	Yellow, RAL1026	
INC81S4YWR-305	Cat.8.1 SFTP Cable	CMX	305m/1000ft	Yellow, RAL1026	
INC81S4YWR-153	Cat.8.1 SFTP Cable	CMX	153m/500ft	Yellow, RAL1026	

Custom cable color available

Cable Construction





Category 7 SFTP

Features

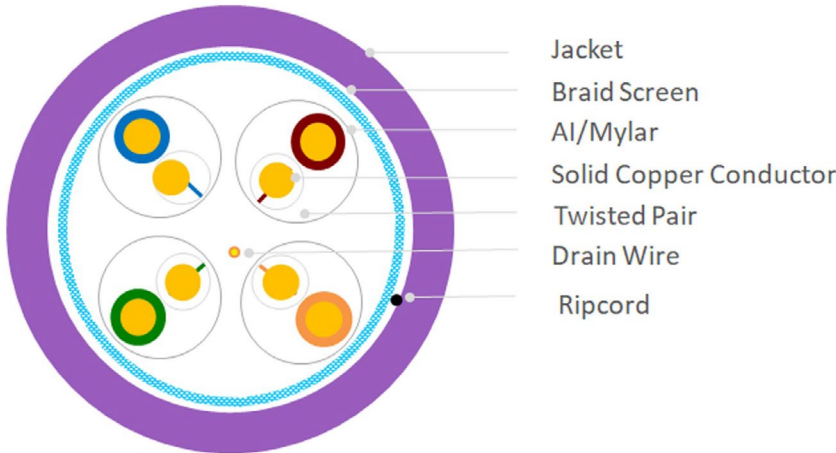


Category 7 SFTP Cable 4 Pair 100 ohms
ETL Verified IEC 61156-5, ISO/IEC 11801-1
UL Listed, RoHS Compliant
1000 MHz for 100 m Channels in 10GBase-T
Supports PoE, PoE+, PoE++
Packing Type is Reel

Part Number	Description	Jacket	Length	Color	Explore
INC7S4PRL-500	Cat.7 SFTP Cable	LSOH	500m/1640ft	Purple, RAL 4008	
INC7S4PRL-305	Cat.7 SFTP Cable	LSOH	305m/1000ft	Purple, RAL 4008	
INC7S4PRL-153	Cat.7 SFTP Cable	LSOH	153m/500ft	Purple, RAL 4008	
INC7S4PRR-500	Cat.7 SFTP Cable	CMX	500m/1640ft	Purple, RAL 4008	
INC7S4PRR-305	Cat.7 SFTP Cable	CMX	305m/1000ft	Purple, RAL 4008	
INC7S4PRR-153	Cat.7 SFTP Cable	CMX	153m/500ft	Purple, RAL 4008	

Custom cable color available

Cable Construction





Category 6A UTP

Features

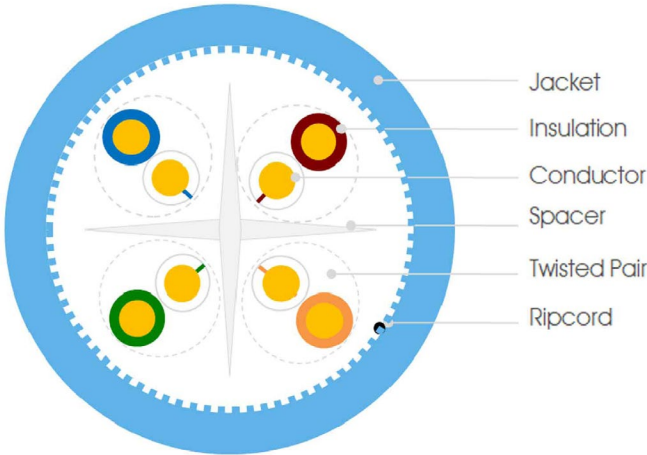


Category 6A Cable 4 Pair UTP 100 ohms
 ETL Verified to ANSI TIA-568-C.2,
 ISO IEC 11801 and EN 50173-1 Category 6A
 UL Listed, RoHS Compliant
 550 MHz for 100 m Channels in 10GBase-T
 Supports PoE, PoE+, PoE++
 Packing Type is Reel

Part Number	Description	Jacket	Length	Color	Explore
INC6AU4IBL-500	Cat.6A UTP Cable	LSOH	500m/1640ft	Gray, RAL 7035	
INC6AU4IBL-305	Cat.6A UTP Cable	LSOH	305m/1000ft	Gray, RAL 7035	
INC6AU4IBL-153	Cat.6A UTP Cable	LSOH	153m/500ft	Gray, RAL 7035	
INC6AU4IBR-500	Cat.6A UTP Cable	CMX	500m/1640ft	Gray, RAL 7035	
INC6AU4IBR-305	Cat.6A UTP Cable	CMX	305m/1000ft	Gray, RAL 7035	
INC6AU4IBR-153	Cat.6A UTP Cable	CMX	153m/500ft	Gray, RAL 7035	

Custom color available at request

Cable Construction





Category 6A UTP

Features

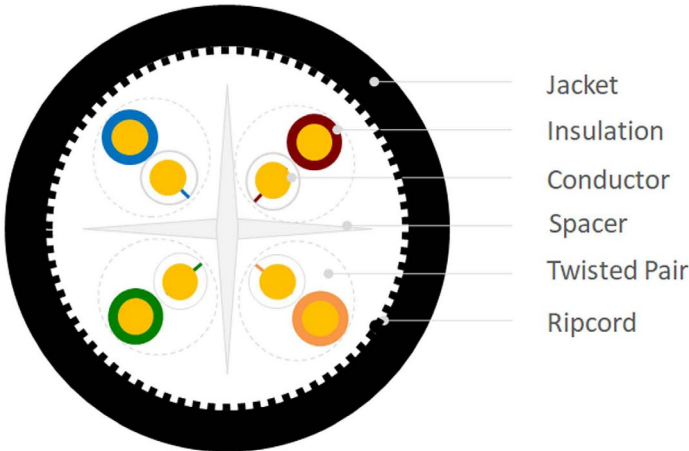


Category 6A Outdoor Cable 4 Pair UTP 100 ohms
 ETL Verified to ANSI TIA-568-C.2,
 ISO IEC 11801 and EN 50173-1 Category 6A
 UL Listed, RoHS Compliant
 550 MHz for 100 m Channels in 10GBase-T
 Supports PoE, PoE+, PoE++
 Packing Type is Reel

Part Number	Description	Jacket	Length	Color	Explore
INC6AU4BKO-500	Cat.6A UTP Cable	PE	500m/1640ft	Black, RAL 9005	
INC6AU4BKO-305	Cat.6A UTP Cable	PE	305m/1000ft	Black, RAL 9005	
INC6AU4BKO-153	Cat.6A UTP Cable	PE	153m/500ft	Black, RAL 9005	

Custom cable color available

Cable Construction





Category 6A UFTP

Features

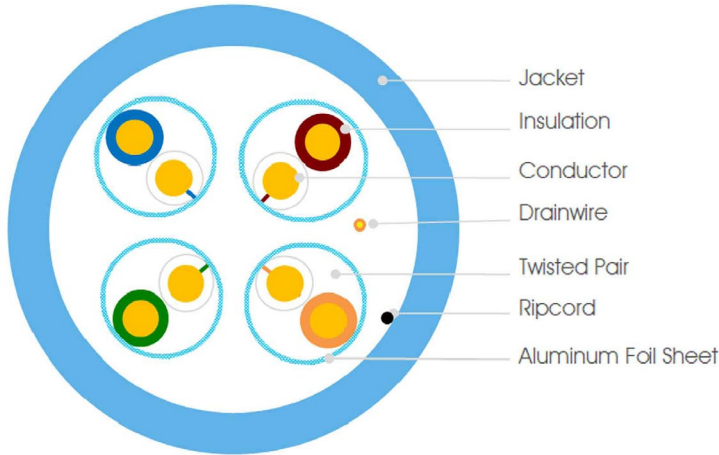


Category 6A Cable 4 Pair UFTP 100 ohms
ETL Verified to ANSI TIA-568-C.2,
ISO IEC 11801 and EN 50173-1 Category 6A
UL Listed, RoHS Compliant
550 MHz for 100 m Channels in 10GBase-T
Supports PoE, PoE+, PoE++
Packing Type is Reel

Part Number	Description	Jacket	Length	Color	Explore
INC6AF4IBRL-500	Cat.6A UFTP Cable	LSOH	500m/1640ft	Gray, RAL 7035	
INC6AF4IBRL-305	Cat.6A UFTP Cable	LSOH	305m/1000ft	Gray, RAL 7035	
INC6AF4IBRL-153	Cat.6A UFTP Cable	LSOH	153m/500ft	Gray, RAL 7035	
INC6AF4IBR-500	Cat.6A UFTP Cable	CMX	500m/1640ft	Gray, RAL 7035	
INC6AF4IBR-305	Cat.6A UFTP Cable	CMX	305m/1000ft	Gray, RAL 7035	
INC6AF4IBR-153	Cat.6A UFTP Cable	CMX	153m/500ft	Gray, RAL 7035	

Custom cable color available

Cable Construction





Category 6A FUTP

Features

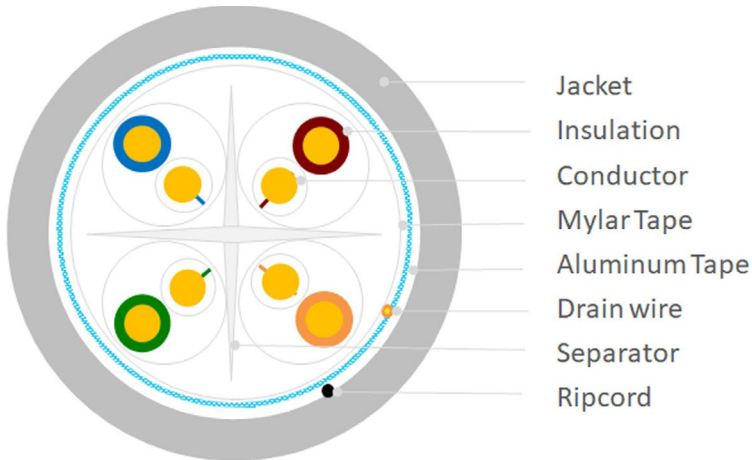


Category 6A Cable 4 Pairs FUTP 100 ohms
 ETL Verified to ANSI TIA-568-C.2,
 ISO IEC 11801 and EN 50173-1 Category 6A
 UL Listed, RoHS Compliant
 550 MHz for 100 m Channels in 10GBase-T
 Supports PoE, PoE+, PoE++
 Packing Type is Reel

Part Number	Description	Jacket	Length	Color	Explore
INC6AFU4GYL-500	Cat.6A FUTP Cable	LSOH	500m/1640ft	Gray, RAL 7035	
INC6AFU4GYL-305	Cat.6A FUTP Cable	LSOH	305m/1000ft	Gray, RAL 7035	
INC6AFU4GYL-153	Cat.6A FUTP Cable	LSOH	153m/500ft	Gray, RAL 7035	
INC6AFU4GYR-500	Cat.6A FUTP Cable	CMX	500m/1640ft	Gray, RAL 7035	
INC6AFU4GYR-305	Cat.6A FUTP Cable	CMX	305m/1000ft	Gray, RAL 7035	
INC6AFU4GYR-153	Cat.6A FUTP Cable	CMX	153m/500ft	Gray, RAL 7035	

Custom cable color available

Cable Construction





Category 6A FTP

Features

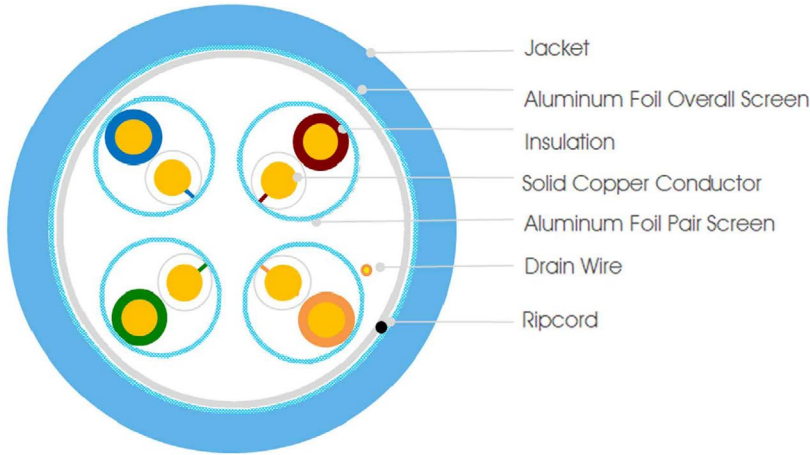


Category 6A Cable 4 Pair FTP 100 ohms
 ETL Verified for performance as per ANSI/TIA-568-C.2,
 ISO/IEC 11801 and IEC-61156-5
 UL Listed, RoHS Compliant
 550 MHz for 100 m Channels in 10GBase-T
 Supports PoE, PoE+, PoE++
 Packing Type is Reel

Part Number	Description	Jacket	Length	Color	Explore
INC6AFF4GYL-500	Cat.6A FTP Cable	LSOH	500m/1640ft	Gray, RAL 7035	
INC6AFF4GYL-305	Cat.6A FTP Cable	LSOH	305m/1000ft	Gray, RAL 7035	
INC6AFF4GYL-153	Cat.6A FTP Cable	LSOH	153m/500ft	Gray, RAL 7035	
INC6AFF4GYR-500	Cat.6A FTP Cable	CMX	500m/1640ft	Gray, RAL 7035	
INC6AFF4GYR-305	Cat.6A FTP Cable	CMX	305m/1000ft	Gray, RAL 7035	
INC6AFF4GYR-153	Cat.6A FTP Cable	CMX	153m/500ft	Gray, RAL 7035	

Custom cable color available

Cable Construction





Category 6A SFTP

Features



Category 6A Cable 4 Pair SFTP 100 ohms
ETL Verified to ANSI TIA-568-C.2,
ISO IEC 11801 and EN 50173-1 Category 6A
UL Listed, RoHS Compliant
550 MHz for 100 m Channels in 10GBase-T
Supports PoE, PoE+, PoE++
Packing Type is Reel

Part Number	Description	Jacket	Length	Color	Explore
INC6AS4IBL-500	Cat.6A SFTP Cable	LSOH	500m/1640ft	Gray, RAL 7035	
INC6AS4IBL-305	Cat.6A SFTP Cable	LSOH	305m/1000ft	Gray, RAL 7035	
INC6AS4IBL-153	Cat.6A SFTP Cable	LSOH	153m/500ft	Gray, RAL 7035	
INC6AS4IBR-500	Cat.6A SFTP Cable	CMX	500m/1640ft	Gray, RAL 7035	
INC6AS4IBR-305	Cat.6A SFTP Cable	CMX	305m/1000ft	Gray, RAL 7035	
INC6AS4IBR-153	Cat.6A SFTP Cable	CMX	153m/500ft	Gray, RAL 7035	

Custom cable color available

Cable Construction





Category 6 UTP

Features

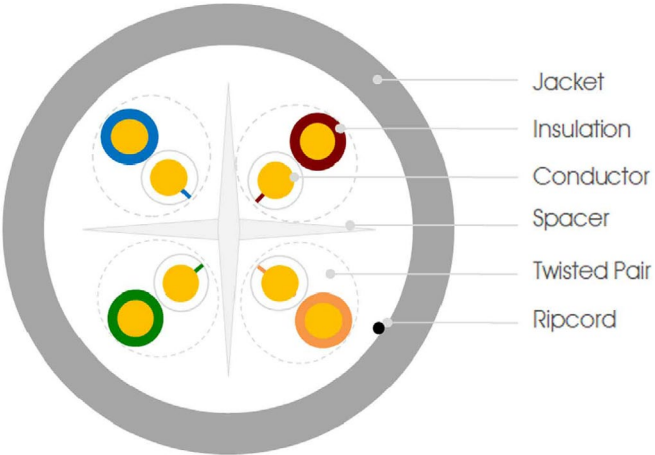


Category 6 Cable 4 Pair UTP 23AWG 100 ohms
ETL Verified to ANSI TIA-568-C.2,
ISO IEC 11801 and EN 50173-1 Category 6
UL Listed, RoHS Compliant
250 MHz for 100 m Channels in 10GBase-T
Supports PoE, PoE+, PoE++
Packing Type is Reel

Part Number	Description	Jacket	Length	Color	Explore
INC6U4GYRL-500	Cat.6 UTP Cable	LSOH	500m/1640ft	Gray, RAL 7035	
INC6U4GYRL-305	Cat.6 UTP Cable	LSOH	305m/1000ft	Gray, RAL 7035	
INC6U4GYRL-153	Cat.6 UTP Cable	LSOH	153m/500ft	Gray, RAL 7035	

Custom cable color available

Cable Construction





Category 6 UTP

Features

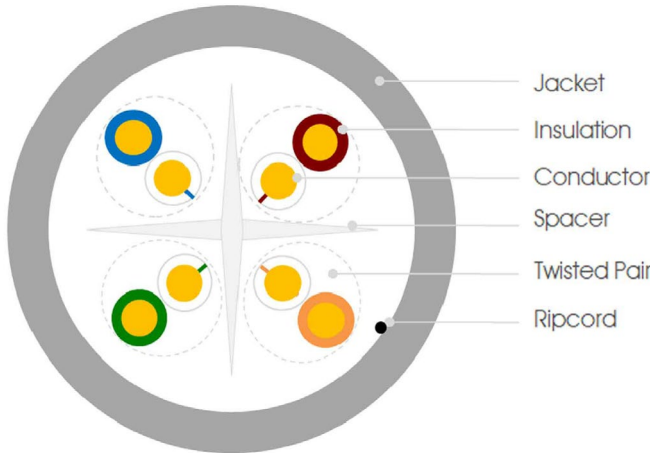


Category 6 Cable 4 Pair UTP 24 AWG 100 ohms
 ETL Verified to ANSI TIA-568-C.2,
 ISO IEC 11801 and EN 50173-1 Category 6
 UL Listed, RoHS Compliant
 250 MHz for 100 m Channels in 10GBase-T
 Supports PoE, PoE+, PoE++
 Packing Type is Reel

Part Number	Description	Jacket	Length	Color	Explore
INC6U4GYRC-500	Cat.6 UTP Cable	CMX	500m/1640ft	Gray, RAL 7035	
INC6U4GYRC-305	Cat.6 UTP Cable	CMX	305m/1000ft	Gray, RAL 7035	
INC6U4GYRC-153	Cat.6 UTP Cable	CMX	153m/500ft	Gray, RAL 7035	

Custom cable color available

Cable Construction





Category 6 UFTP

Features

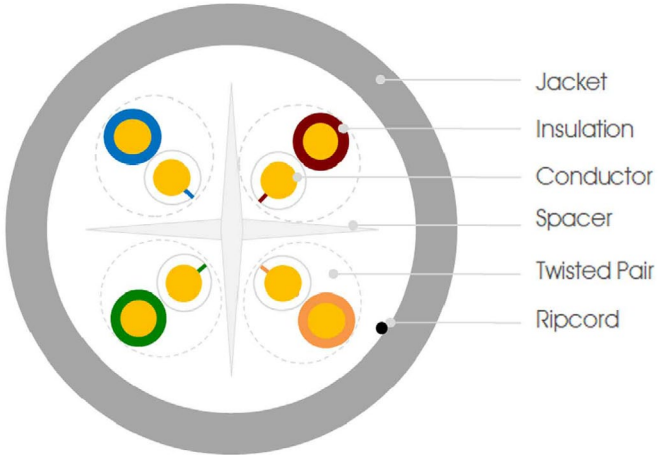


Category 6 Cable 4 Pair UFTP 23AWG 100 ohms
ETL Verified to ANSI TIA-568-C.2,
ISO IEC 11801 and EN 50173-1 Category 6
UL Listed, RoHS Compliant
250 MHz for 100 m Channels in 10GBase-T
Supports PoE, PoE+, PoE++
Packing Type is Reel

Part Number	Description	Jacket	Length	Color	Explore
INC6F4GYL-500	Cat.6 UFTP Cable	LSOH	500m/1640ft	Gray, RAL 7035	
INC6F4GYL-305	Cat.6 UFTP Cable	LSOH	305m/1000ft	Gray, RAL 7035	
INC6F4GYL-153	Cat.6 UFTP Cable	LSOH	153m/500ft	Gray, RAL 7035	

Custom cable color available

Cable Construction





Category 6 FUTP

Features

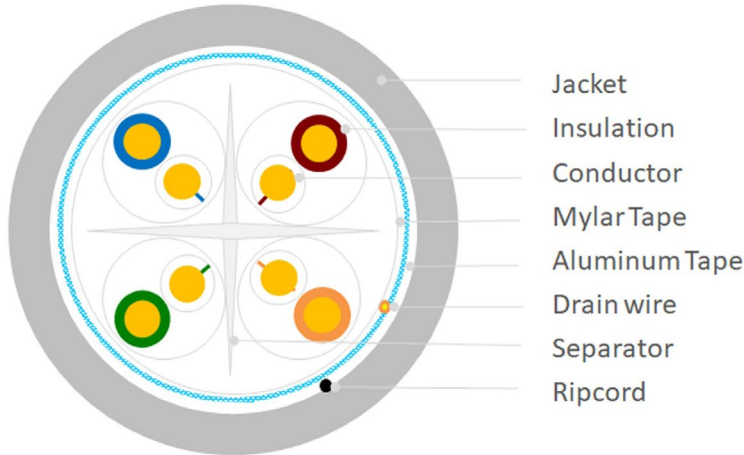


Category 6 Cable 4 Pair FUTP 23 AWG 100 ohms
ETL Verified to ANSI TIA-568-C.2,
ISO IEC 11801 and EN 50173-1 Category 6
250 MHz for 100 m Channels in 10GBase-T
Supports PoE, PoE+, PoE++
Packing Type is Reel

Part Number	Description	Jacket	Length	Color	Explore
INC6FU4GYL-500	Cat.6 FUTP Cable	LSOH	500m/1640ft	Gray, RAL 7035	
INC6FU4GYL-305	Cat.6 FUTP Cable	LSOH	305m/1000ft	Gray, RAL 7035	
INC6FU4GYL-153	Cat.6 FUTP Cable	LSOH	153m/500ft	Gray, RAL 7035	
INC6FU4GYR-500	Cat.6 FUTP Cable	CMX	500m/1640ft	Gray, RAL 7035	
INC6FU4GYR-305	Cat.6 FUTP Cable	CMX	305m/1000ft	Gray, RAL 7035	
INC6FU4GYR-153	Cat.6 FUTP Cable	CMX	153m/500ft	Gray, RAL 7035	

Custom cable color available

Cable Construction





KEYSTONE JACKS



Category 8.1 Shielded Jacks

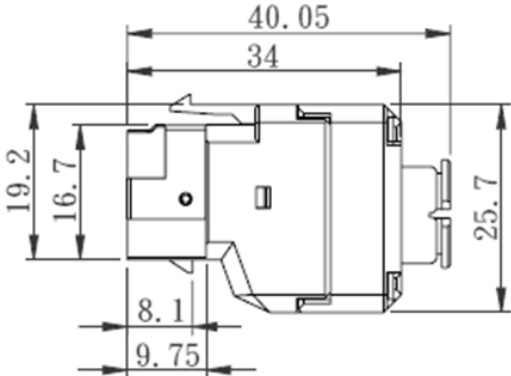
Features



Cat.8.1 STP 90 Degree Tool-Less Keystone Jack
ETL Verified to ANSI/TIA-568.2-D and
ISO/IEC 11801 Category 8.1
25GBASE-T / 40GBASE-T Ethernet
T568A and T568B Universal Wiring Schemes
Accepts 22- 26 AWG Conductors
UL94V-0 Material, RoHS Compliant
Packing Type is 5 Units

Part Number	Description	Orientation	Color	Explore
INKJ81T90S-05	Cat.8.1 STP Jack	90 Degree	Silver	

Dimensions





Category 6A Shielded Jacks

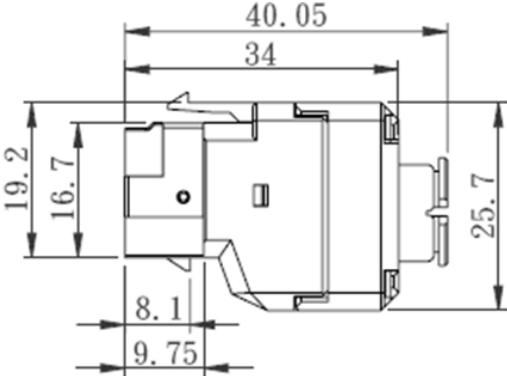
Features



Cat.6A Shielded 180 Degree Keystone Steel Jack
ETL Verified to ANSI TIA-568-C.2, ISO IEC 11801 and
EN 50173-1 Category 6A
10G+ Ethernet
T568A and T568B Universal Wiring Schemes
Accepts 22 - 24 AWG Conductors
UL94V-0 Material, RoHS Compliant
Packing Type is 5 Units

Part Number	Description	Orientation	Color	Explore
INKJ6A180S-05	Cat.6A STP Jack	180 Degree	Silver	

Dimensions





Category 6A UTP Jacks

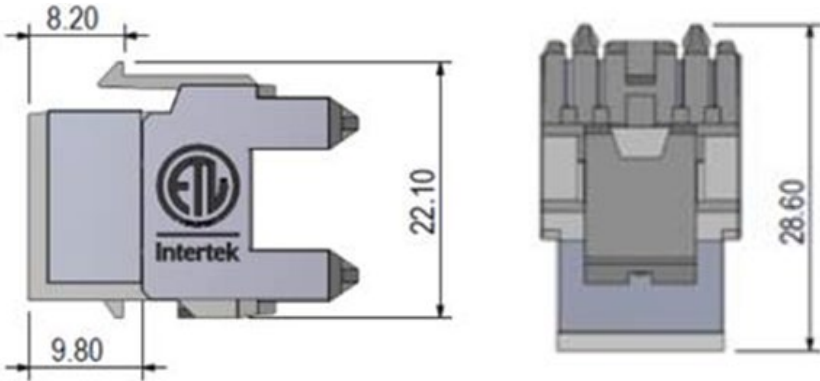


Features

- Cat.6A UTP 180 Degree Keystone Jack
- ETL Verified to ANSI TIA-568-C.2, ISO IEC 11801 and EN 50173-1 Category 6A
- 10G+ Ethernet
- T568A and T568B Universal Wiring Schemes
- Accepts 22 - 26 AWG Conductors
- UL94V-0 Material, RoHS Compliant
- Packing Type is 10 Units

Part Number	Description	Orientation	Color	Explore
INKJ6A180BK-10	Cat.6A UTP Jack	180 Degree	Black, RAL 9005	
INKJ6A180WH-10	Cat.6A UTP Jack	180 Degree	White, RAL 9001	

Dimensions





Category 6A UTP Jacks

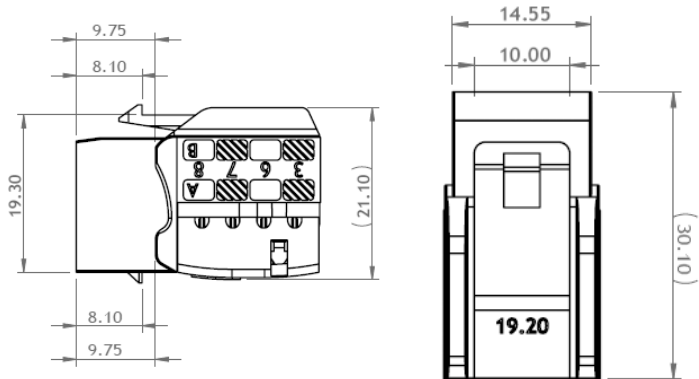
Features



Cat.6A UTP 90 Degree Keystone White Jack
 Standards complied to ANSI TIA-568-C.2,
 ISO IEC 11801 and EN 50173-1 Category 6
 10GBase-T applications in accordance
 with IEEE 802.3an up to 500 MHz
 T568A and T568B Universal Wiring Schemes
 Accepts 22 - 26 AWG Conductors
 UL94V-0 Material, RoHS Compliant
 Packing Type is 10 Units

Part Number	Description	Orientation	Color	Explore
INKJ6A90WH-10	Cat.6A UTP Jack	90 Degree	White, RAL 9001	

Dimensions





Category 6A UTP Jacks

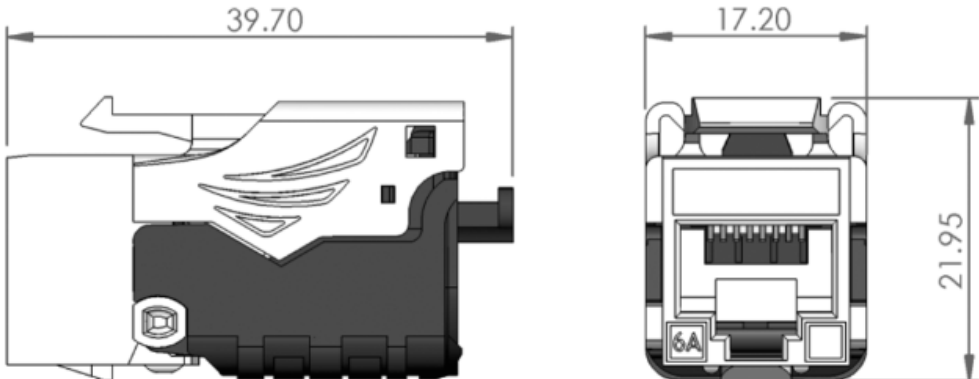


Features

Cat.6A UTP 90 Degree Tool-Less Jack
 ETL Verified to ANSI TIA-568-C.2, ISO IEC 11801 and
 EN 50173-1 Category 6A
 10G+ Ethernet
 T568A and T568B Universal Wiring Schemes
 Accepts 22 - 26 AWG Conductors
 UL94V-0 Material, RoHS Compliant
 Packing Type is 10 Units

Part Number	Description	Orientation	Color	Explore
INKJ6AT90WH-10	Cat.6A UTP Jack	90 Degree	White, RAL 9001	

Dimensions





Category 6 Shielded Jacks

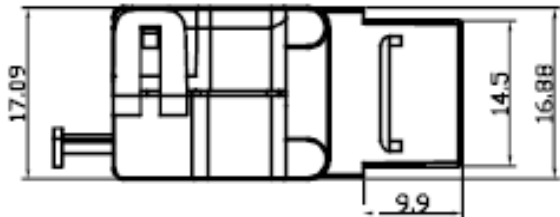
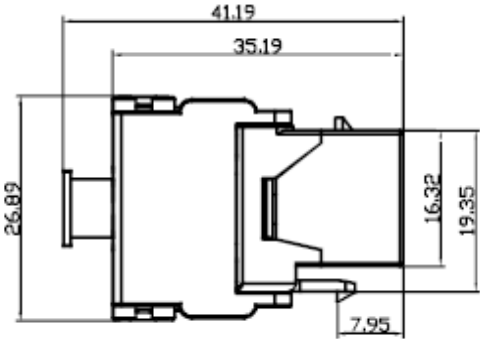
Features



Cat.6 Shielded 180 Degree Keystone Steel Jack
 ETL Verified to ANSI TIA-568-C.2, ISO IEC 11801 and EN 50173-1 Category 6
 10GBase-T applications in accordance with IEEE 802.3an up to 500 MHz
 T568A and T568B Universal Wiring Schemes
 Accepts 22 - 24 AWG Conductors
 UL94V-0 Material, RoHS Compliant
 Packing Type is 5 Units

Part Number	Description	Orientation	Color	Explore
INKJ6D180S-05	Cat.6 STP Jack	180 Degree	Steel	

Dimensions





Category 6 UTP Jacks

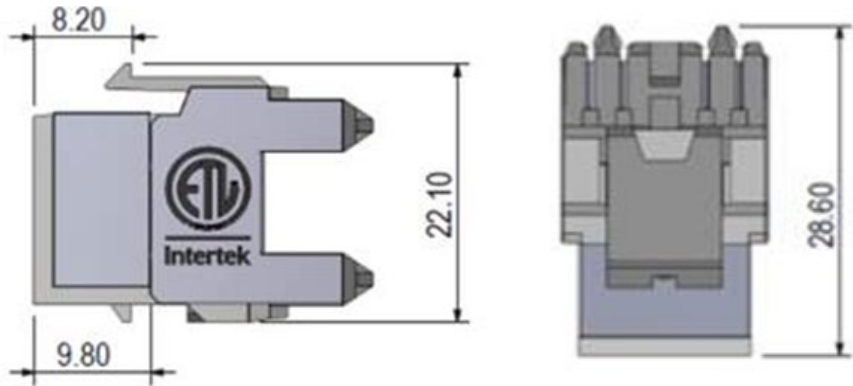
Features



Cat.6 UTP 180 Degree Keystone Jack
 ETL Verified to ANSI TIA-568-C.2,
 ISO IEC 11801 and EN 50173-1 Category 6
 10GBase-T applications in accordance
 with IEEE 802.3an up to 500 MHz
 T568A and T568B Universal Wiring Schemes
 Accepts 22 - 26 AWG Conductors
 UL94V-0 Material, RoHS Compliant
 Packing Type is 10 Units

Part Number	Description	Orientation	Color	Explore
INKJ6D180BB-10	Cat.6 UTP Jack	180 Degree	Black, RAL 9005	

Dimensions





Category 6 UTP Jacks

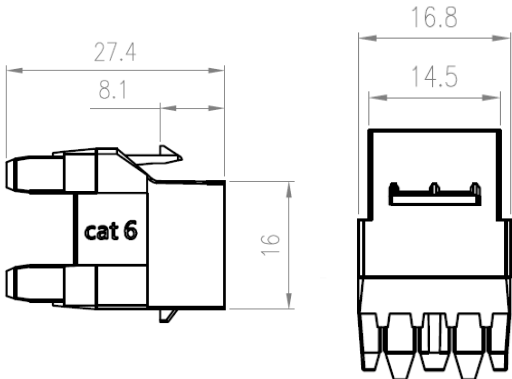
Features



Cat.6 UTP 180 Degree Keystone Jack
 Standards complied to ANSI TIA-568-C.2,
 ISO IEC 11801 and EN 50173-1 Category 6
 10GBase-T applications in accordance
 with IEEE 802.3an up to 500 MHz
 T568A and T568B Universal Wiring Schemes
 Accepts 22 - 26 AWG Conductors
 UL94V-0 Material, RoHS Compliant
 Packing Type is 10 Units

Part Number	Description	Orientation	Color	Explore
INKJ6D180BK-10	Cat.6 UTP Jack	180 Degree	Black, RAL 9005	
INKJ6D180WH-10	Cat.6 UTP Jack	180 Degree	White, RAL 9001	

Dimensions





Category 6 UTP Jacks

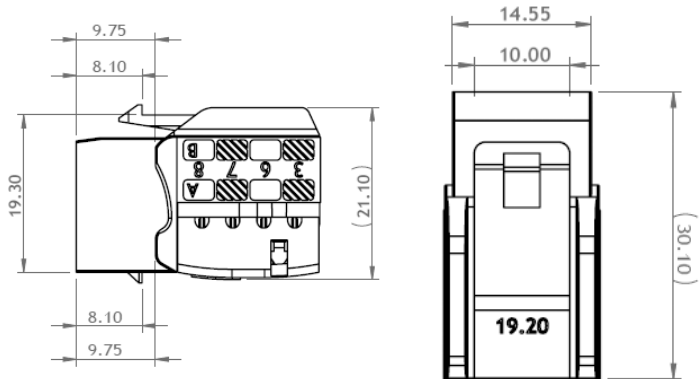
Features



Cat.6 UTP 90 Degree Keystone White Jack
 Standards complied to ANSI TIA-568-C.2,
 ISO IEC 11801 and EN 50173-1 Category 6
 10GBase-T applications in accordance
 with IEEE 802.3an up to 500 MHz
 T568A and T568B Universal Wiring Schemes
 Accepts 22 - 24 AWG Conductors
 UL94V-0 Material, RoHS Compliant
 Packing Type is 10 Units

Part Number	Description	Orientation	Color	Explore
INKJ6D90WH-10	Cat.6 UTP Jack	90 Degree	White, RAL 9001	

Dimensions





Category 6 UTP Jacks

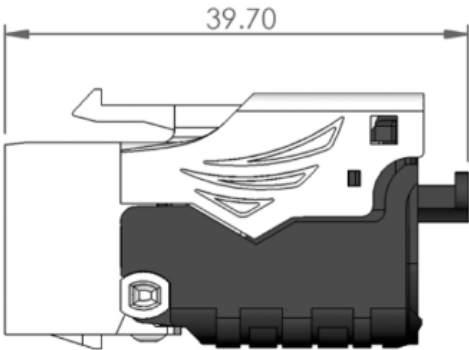
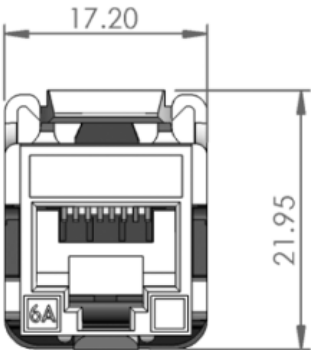


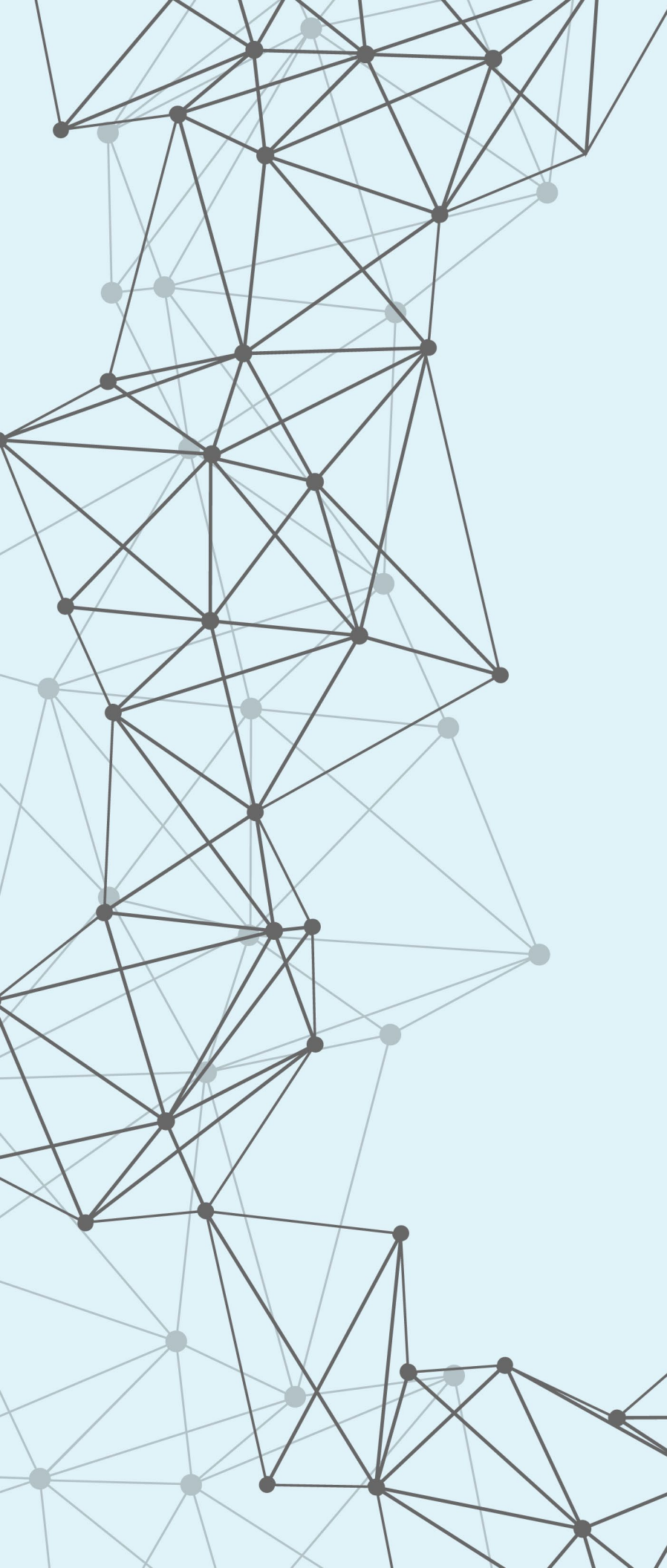
Features

Cat.6 UTP 90 Degree Tool-Less Jack
ETL Verified to ANSI TIA-568-C.2,
ISO IEC 11801 and EN 50173-1 Category 6
10GBase-T applications in accordance
with IEEE 802.3an up to 500 MHz
T568A and T568B Universal Wiring Schemes
Accepts 22 - 24 AWG Conductors
UL94V-0 Material, RoHS Compliant
Packing Type is 10 Units

Part Number	Description	Orientation	Color	Explore
INKJ6T90WH-10	Cat.6 UTP Jack	90 Degree	White, RAL 9001	

Dimensions



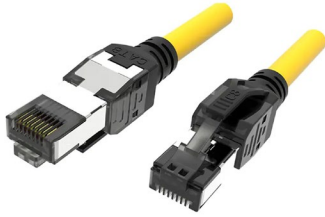


PATCH CORDS



Category 8.1

Features

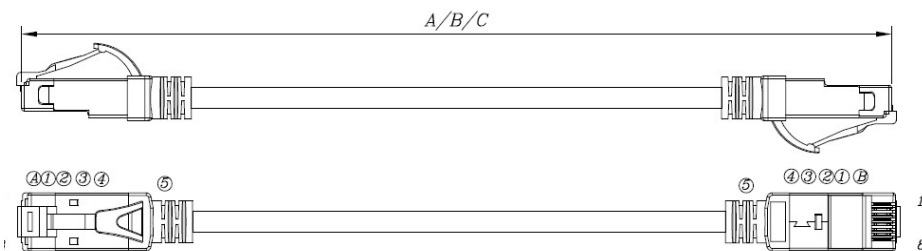


Cat.8.1 Shielded Patch Cord LSOH 24AWG
 ETL Verified to ANSI/TIA-568.2-D,
 ISO IEC 11801 and EN 50173-1 Category 8.1
 25GBASE-T / 40GBASE-T Ethernet
 Supports PoE, PoE+, PoE++
 UL94V-2 Polycarbonate Housing
 Packing Type is 1 Unit

Part Number	Description	Jacket	Length	Color	Explore
INPC81SHA1YWL	Cat.8.1 Patch Cord	LSOH	1M	Yellow, RAL 1026	
INPC81SHA2YWL	Cat.8.1 Patch Cord	LSOH	2M	Yellow, RAL 1026	
INPC81SHA3YWL	Cat.8.1 Patch Cord	LSOH	3M	Yellow, RAL 1026	

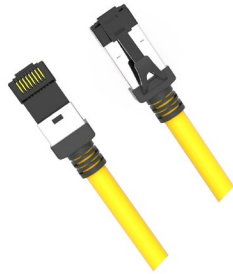
Custom color and length available

Dimensions





Category 8.1



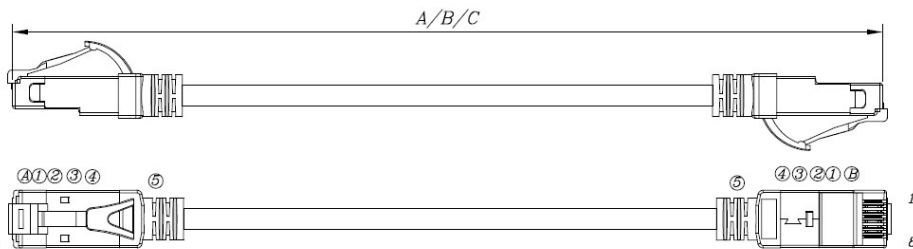
Features

Cat.8.1 Shielded Patch Cord LSOH 26AWG
 ETL Verified to ANSI/TIA-568.2-D,
 ISO IEC 11801 and EN 50173-1 Category 8.1
 25GBASE-T / 40GBASE-T Ethernet
 Supports PoE, PoE+, PoE++
 UL94V-2 Polycarbonate Housing
 Packing Type is 1 Unit

Part Number	Description	Jacket	Length	Color	Explore
INPC81SHC1GYL	Cat.8.1 Patch Cord	LSOH	1M	Yellow, RAL 1026	
INPC81SHC2GYL	Cat.8.1 Patch Cord	LSOH	2M	Yellow, RAL 1026	
INPC81SHC3GYL	Cat.8.1 Patch Cord	LSOH	3M	Yellow, RAL 1026	

Custom color and length available

Dimensions





Category 6A Shielded

Features

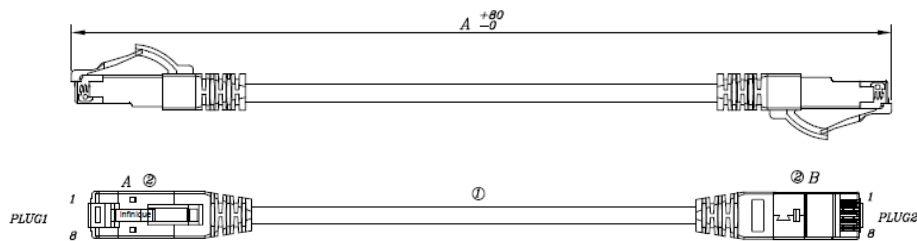


Cat.6A Shielded Patch Cord 1m, LSOH
 ETL Verified to ANSI TIA-568-C.2,
 ISO IEC 11801 and EN 50173-1 Category 6A
 10GBase-T applications in accordance
 with IEEE 802.3an up to 500 MHz
 Supports PoE, PoE+, PoE++
 UL94V-0 Polycarbonate Housing
 Packing Type is 1 Unit

Part Number	Description	Jacket	Length	Color	Explore
INPC6ASHB1GYL	Cat.6A STP Patch Cord	LSOH	1M	Gray, RAL 7035	
INPC6ASHB2GYL	Cat.6A STP Patch Cord	LSOH	2M	Gray, RAL 7035	
INPC6ASHB3GYL	Cat.6A STP Patch Cord	LSOH	3M	Gray, RAL 7035	

Custom color and length available

Dimensions





Category 6A UTP

Features

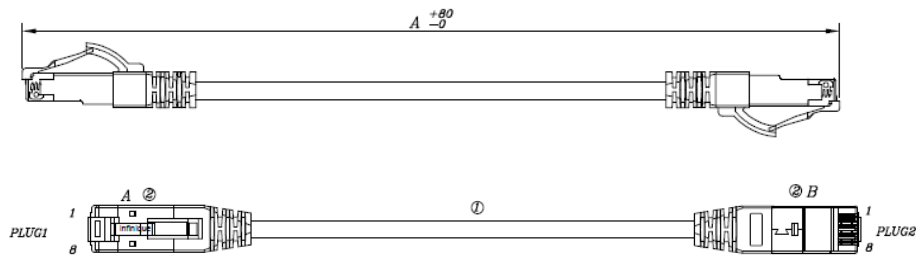


Cat.6A UTP Patch Cord, LSOH
 ETL Verified to ANSI TIA-568-C.2,
 ISO IEC 11801 and EN 50173-1 Category 6A
 10GBase-T applications in accordance
 with IEEE 802.3an up to 500 MHz
 Supports PoE, PoE+, PoE++
 UL94V-0 Polycarbonate Housing
 Packing Type is 1 Unit

Part Number	Description	Jacket	Length	Color	Explore
INPC6AHB1IBL	Cat.6A UTP Patch Cord	LSOH	1M	Gray, RAL 7035	
INPC6AHB2IBL	Cat.6A UTP Patch Cord	LSOH	2M	Gray, RAL 7035	
INPC6AHB3IBL	Cat.6A UTP Patch Cord	LSOH	3M	Gray, RAL 7035	

Custom color and length available

Dimensions





Category 6 Shielded

Features

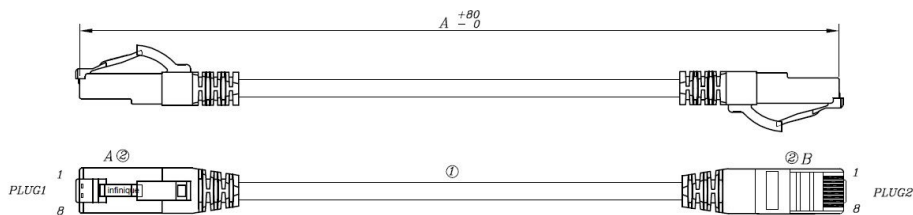


Cat.6 Shielded Patch Cord, LSOH
 ETL Verified to ANSI TIA-568-C.2,
 ISO IEC 11801 and EN 50173-1 Category 6
 10GBase-T applications in accordance
 with IEEE 802.3an up to 500 MHz
 Supports PoE, PoE+, PoE++
 UL94V-0 Polycarbonate Housing
 Packing Type is 1 Unit

Part Number	Description	Jacket	Length	Color	Explore
INPC6SHB1GYL	Cat.6 STP Patch Cord	LSOH	1M	Gray, RAL 7035	
INPC6SHB2GYL	Cat.6 STP Patch Cord	LSOH	2M	Gray, RAL 7035	
INPC6SHB3GYL	Cat.6 STP Patch Cord	LSOH	3M	Gray, RAL 7035	

Custom color and length available

Dimensions





Category 6 UTP

Features

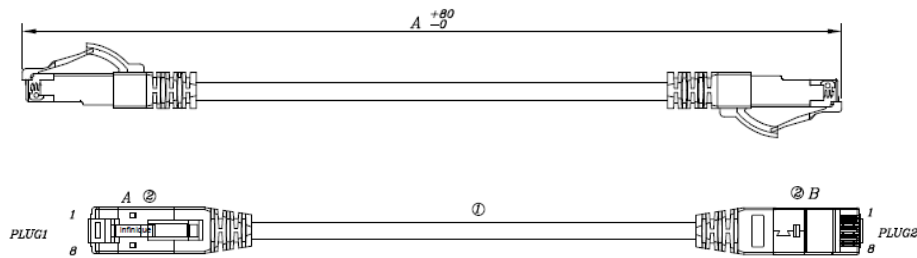


Cat.6 UTP Patch Cord, LSOH
 ETL Verified to ANSI TIA-568-C.2,
 ISO IEC 11801 and EN 50173-1 Category 6
 10GBase-T applications in accordance
 with IEEE 802.3an up to 500 MHz
 Supports PoE, PoE+, PoE++
 UL94V-0 Polycarbonate Housing
 Packing Type is 1 Unit

Part Number	Description	Jacket	Length	Color	Explore
INPC6HB1GYL	Cat.6 UTP Patch Cord	LSOH	1M	Gray, RAL 7035	
INPC6HB2GYL	Cat.6 UTP Patch Cord	LSOH	2M	Gray, RAL 7035	
INPC6HB3GYL	Cat.6 UTP Patch Cord	LSOH	3M	Gray, RAL 7035	

Custom color and length available

Dimensions





PATCH PANELS



Unloaded UTP Patch Panel

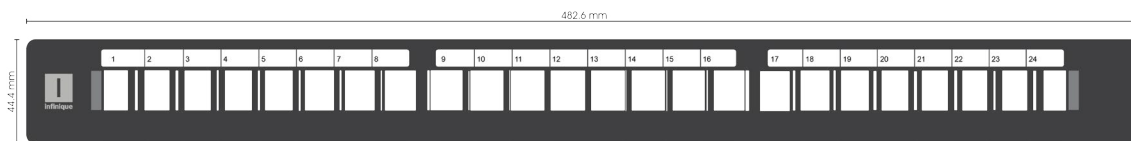
Features



Unloaded Patch Panel, UTP, 24 Ports
 Easy Identification with Individual Port Marking
 Label Holders for circuit identification,
 Rear Cable Management Bar for strain relief
 Includes Rack Mounting Accessories and Cable Ties
 UL94V-0 Material, RoHS Compliant
 Packing Type is 1 Unit

Part Number	Description	Material	Rack Unit	Color	Explore
INPPU24MB	Unloaded Patch Panel 24 Ports	Steel	1U	Black, RAL 9004	

Dimensions





Unloaded UTP Patch Panel

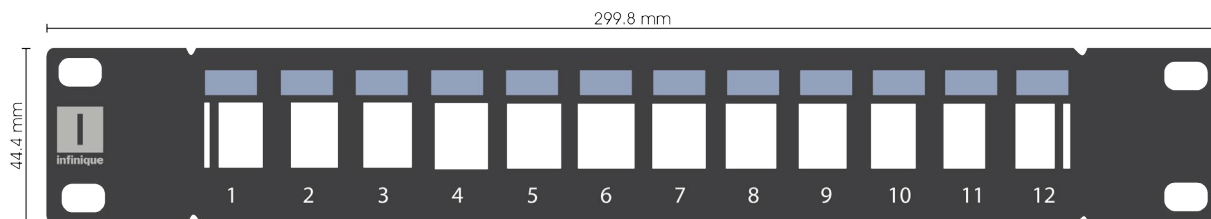
Features



Cat.6, 6A UTP Unloaded Patch Panel, 12 Ports, 1U
 Easy Identification with Individual Port Marking
 Label Holders for circuit identification
 Includes Rack Mounting Accessories and Cable Ties
 UL94V-0 Material, RoHS Compliant
 Packing Type is 1 Unit

Part Number	Description	Material	Rack Unit	Color	Explore
INPPU12MB	Unloaded Patch Panel 12 Ports	Steel	1U	Black, RAL 9004	

Dimensions





Unloaded UTP Patch Panel

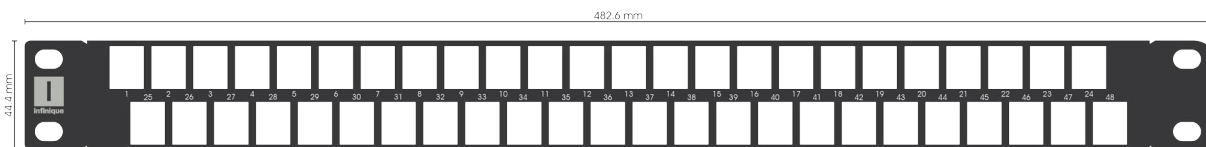
Features



Unloaded Patch Panel, UTP, 48 Ports, 1U
 Easy Identification with Individual Port Marking
 Rear Cable Management Bar for strain relief
 Includes Rack Mounting Accessories and Cable Ties
 UL94V-0 Material, RoHS Compliant
 Packing Type is 1 Unit

Part Number	Description	Material	Rack Unit	Color	Explore
INPPU48MB	Unloaded Patch Panel 48 Ports	Steel	1U	Black, RAL 9004	

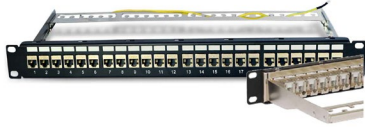
Dimensions





Unloaded STP Patch Panel

Features



Unloaded Patch Panel, STP, 24 Ports, 1U
 Easy Identification with Individual Port Marking
 Label Holders for circuit identification,
 Rear Cable Management Bar for strain relief
 Includes Rack Mounting Accessories and Cable Ties
 UL94V-0 Material, RoHS Compliant
 Packing Type is 1 Unit

Part Number	Description	Material	Rack Unit	Color	Explore
INPPU24MBS	Unloaded Patch Panel 24 Ports	Steel	1U	Black, RAL 9004	

Dimensions





Cat 6A Loaded Shielded Patch Panel

Features



Cat.6A STP Loaded Patch Panel, 24 Ports, 1U
 ANSI/TIA-568-C.2, ISO/IEC 11801 Standards
 Color coding for T568A and T568B wiring scheme
 Label Holders, Rear Cable Management Bar,
 Rack Mounting Accessories and Cable Ties
 UL94V-0 Material, RoHS Compliant
 Packing Type is 1 Unit

Part Number	Description	Material	Rack Unit	Color	Explore
INPP6A24S	Cat.6A Patch Panel 24 Ports	Steel	1U	Steel	

Dimensions





VOICE SOLUTIONS



Category 3 UTP Multi-Pair LSOH

Features

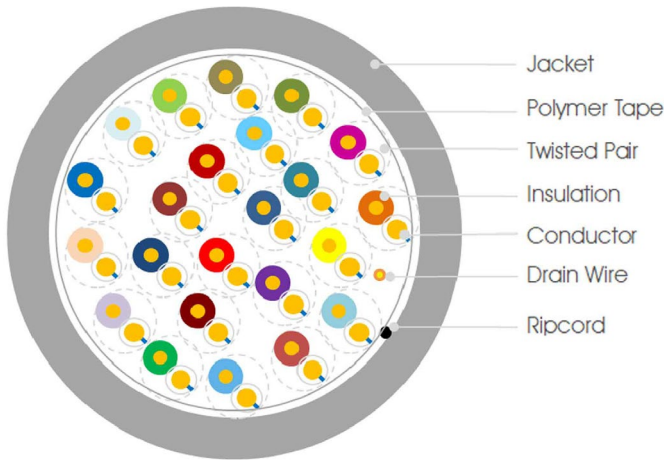


Cat.3 UTP Indoor Copper Multi-Pair Cable
 100BASE-T4, 10BASE-T, Telephony Voice Wiring
 Flame Retardant IEC 60332-1 and EN 50266-2-1
 Meets or Exceeds UL444, UL1581
 Non Corrosive as per IEC 60754-2 and EN 50267
 Packing Type is Reel

Part Number	Description	Jacket	Pairs	Color	Explore
INC3U200GYL	Cat.3 UTP Cable	LSOH	200	Gray, RAL 7035	
INC3U100GYL	Cat.3 UTP Cable	LSOH	100	Gray, RAL 7035	
INC3U50GYL	Cat.3 UTP Cable	LSOH	50	Gray, RAL 7035	
INC3U25GYL	Cat.3 UTP Cable	LSOH	25	Gray, RAL 7035	
INC3U10GYL	Cat.3 UTP Cable	LSOH	10	Gray, RAL 7035	

Custom cable color available

Cable Construction





Category 3 UTP Multi-Pair PVC

Features

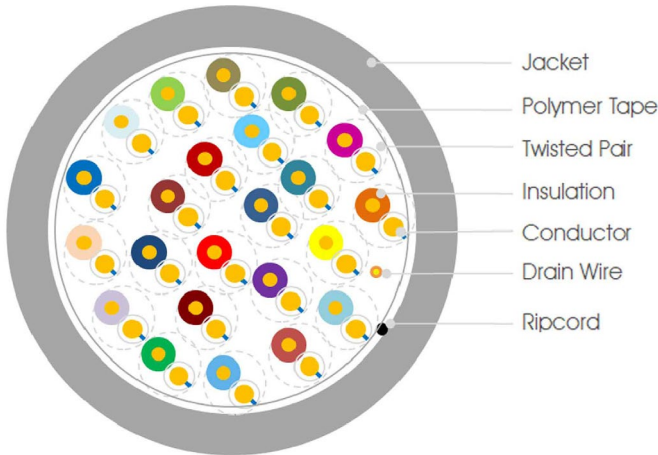


Cat.3 UTP Indoor Copper Multi-Pair Cable
 100BASE-T4, 10BASE-T, Telephony Voice Wiring
 Flame Retardant IEC 60332-1 and EN 50266-2-1
 Meets or Exceeds UL444, UL1581
 Non Corrosive as per IEC 60754-2 and EN 50267
 Packing Type is Reel

Part Number	Description	Jacket	Pairs	Color	Explore
INC3U200GYR	Cat.3 UTP Cable	PVC	200	Gray, RAL 7035	
INC3U100GYR	Cat.3 UTP Cable	PVC	100	Gray, RAL 7035	
INC3U50GYR	Cat.3 UTP Cable	PVC	50	Gray, RAL 7035	
INC3U25GYR	Cat.3 UTP Cable	PVC	25	Gray, RAL 7035	
INC3U10GYR	Cat.3 UTP Cable	PVC	10	Gray, RAL 7035	

Custom cable color available

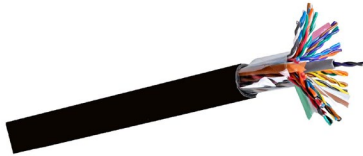
Cable Construction





Category 3 UTP Multi-Pair PE

Features

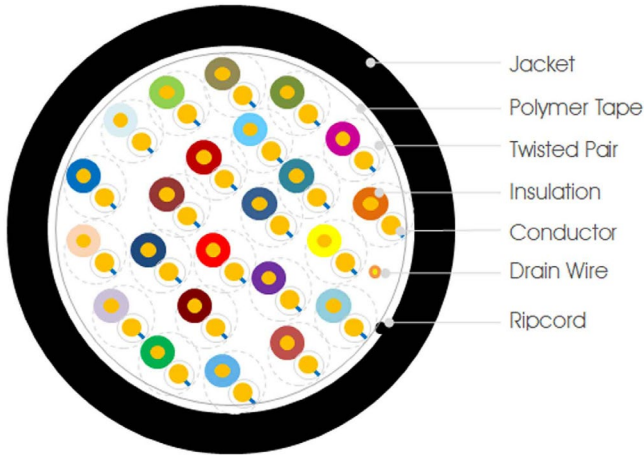


Cat.3 UTP Outdoor Copper Multi-Pair Cable
 100BASE-T4, 10BASE-T, Telephony Voice Wiring
 Flame Retardant IEC 60332-1 and EN 50266-2-1
 Meets or Exceeds UL444, UL1581
 Non Corrosive as per IEC 60754-2 and EN 50267
 Packing Type is Reel

Part Number	Description	Jacket	Pairs	Color	Explore
INC3U200BKO	Cat.3 UTP Cable	PE	200	Black, RAL 9005	
INC3U100BKO	Cat.3 UTP Cable	PE	100	Black, RAL 9005	
INC3U50BKO	Cat.3 UTP Cable	PE	50	Black, RAL 9005	
INC3U25BKO	Cat.3 UTP Cable	PE	25	Black, RAL 9005	
INC3U10BKO	Cat.3 UTP Cable	PE	10	Black, RAL 9005	

Custom cable color available

Cable Construction





High Density Voice Patch Panel

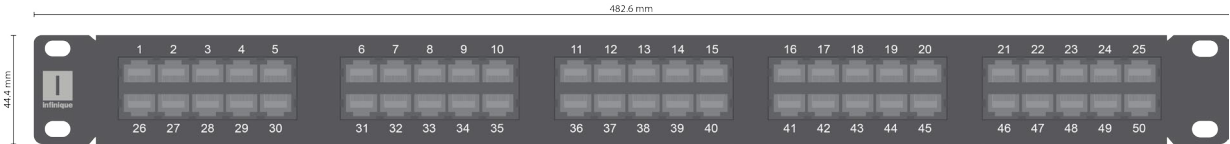


Features

- Cat.5e Voice Patch Panel, Loaded, 50 Ports, 1U
- Easy Identification with Individual Port Marking
- Rear Cable Management Bar for strain relief
- Includes Rack Mounting Accessories and Cable Ties
- UL94V-0 Material, RoHS Compliant
- Packing Type is 1 Unit

Part Number	Description	Material	Rack Unit	Color	Explore
INPPT50	Voice Patch Panel 50 Ports	Steel	1U	Black, RAL 9004	

Dimensions





Category 5e, 110 Type Connecting Block



Features

Cat.3 110 Connecting Blocks 5 Pairs
Meets or Exceeds UL444, UL1581
Flame Retardant IEC 60332-1 and EN 50266-2-1
Non Corrosive as per IEC 60754-2 and EN 50267
100BASE-T4, 10BASE-T, Telephony Voice Wiring

Part Number	Description	Explore
INC5110CB5P	Cat. 5e , 110 Type Connecting Block 5 Pairs	






Category 5e, 110 Type Block Panel



Features

Cat.3 110 Connecting Panel 100 Pairs, 1U
Meets or Exceeds UL444, UL1581
Flame Retardant IEC 60332-1 and EN 50266-2-1
Non Corrosive as per IEC 60754-2 and EN 50267
100BASE-T4, 10BASE-T, Telephony Voice Wiring

Part Number	Description	Explore
INC5110PP100P	Cat. 5e, 110 Type 100 Pair Wiring Block Panel	  



FACE PLATES AND MODULES



UK Style Flat

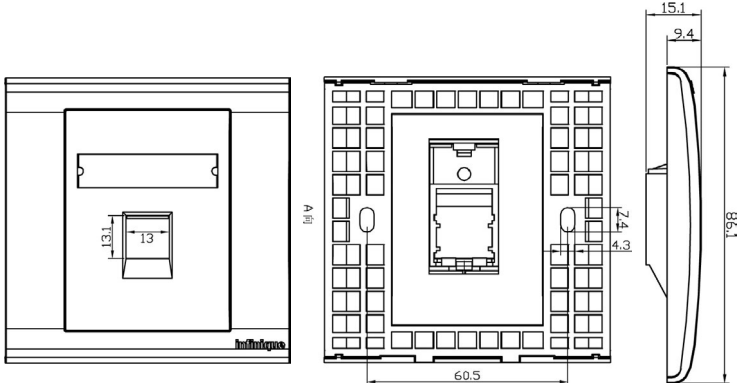


Features

- Single Port UK Style Shuttered
- Designed to accept Infinique Keystone Jacks
- Optimizes space and suitable for floor boxes
- Reduces patch cord bending
- UL94V-0 material for extra durability
- RoHS Compliant

Part Number	Description	Shutter	Color	Explore
INFP186D	UK Style Decora Face Plate Single Port	Flat	White	
Custom Color and metallic finish available				

Dimensions





UK Style Flat

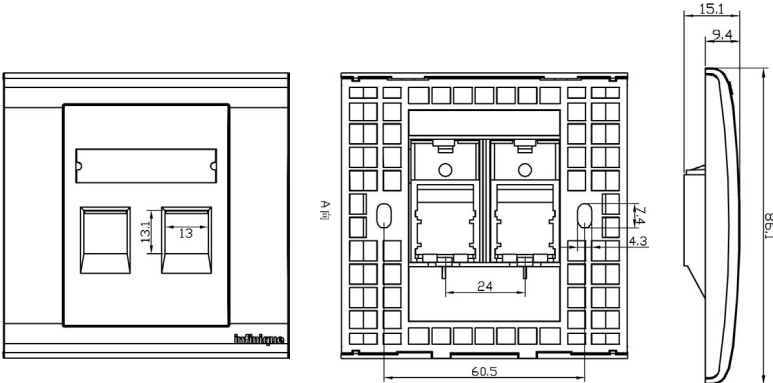


Features

- Dual Port UK Style Shuttered
- Designed to accept Infinique Keystone Jacks
- Optimizes space and suitable for floor boxes
- Reduces patch cord bending
- UL94V-0 material for extra durability
- RoHS Compliant

Part Number	Description	Shutter	Color	Explore
INFP286D	UK Style Decora Face Plate Dual Port	Flat	White	
Custom Color and metallic finish available				

Dimensions





UK Style Angled

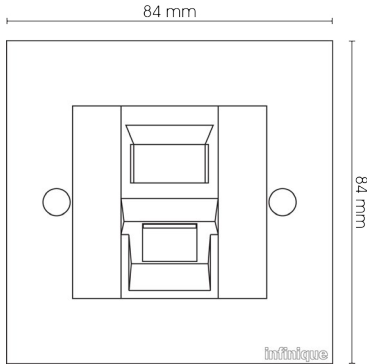


Features

Single Port UK Style Shuttered Angled, White
Designed to accept Infinique Keystone Jacks
Comes with mounting and fixing hardware
Aesthetic design for stylish interiors
UL94V-0 Material, RoHS Compliant

Part Number	Description	Shutter	Color	Explore
INMFP186A	UK Style Decora Face Plate Single Port	Angled	White	

Dimensions





UK Style Angled

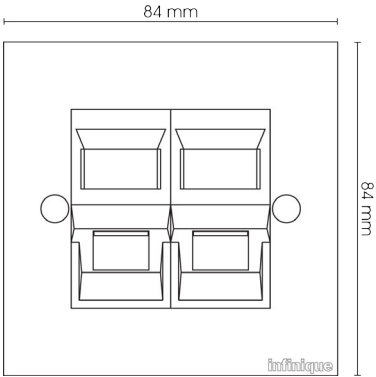


Features

Dual Port UK Style Shuttered Angled, White
Designed to accept Infinique Keystone Jacks
Comes with mounting and fixing hardware
Aesthetic design for stylish interiors
UL94V-0 Material, RoHS Compliant

Part Number	Description	Shutter	Color	Explore
INMFP286A	UK Style Decora Face Plate Dual Port	Angled	White	

Dimensions





NA Style Anti-Bacterial Face Plate



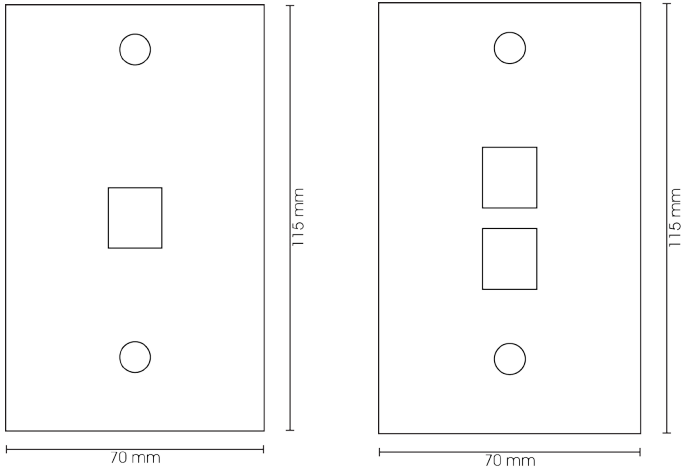
Key Features

- 1 Port NA Style Shuttered
- Designed to accept Infinique Keystone Jacks
- Available Ports: 1, 2, 3, 4, and 6
- Reduces patch cord bending
- UL94V-0 material for extra durability
- RoHS Compliant

Part Number	Description	Color	Explore
INFP170A	NA Style Flat Unshuttered, Unloaded 1 Port	White	
INFP270A	NA Style Flat Unshuttered, Unloaded 2 Port	White	
INFP370A	NA Style Flat Unshuttered, Unloaded 3 Port	White	
INFP470A	NA Style Flat Unshuttered, Unloaded 4 Port	White	
INFP670A	NA Style Flat Unshuttered, Unloaded 6 Port	White	

Custom color and metallic finish available

Dimensions





NA Style Face Plate



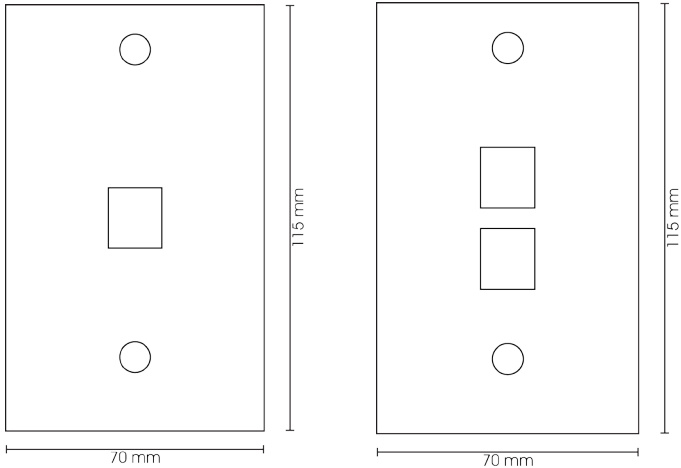
Key Features

- 1-2 Port NA Style Shuttered
- Designed to accept Infinique Keystone Jacks
- Available Ports: 1, 2, 3, 4, and 6
- Reduces patch cord bending
- UL94V-0 material for extra durability
- RoHS Compliant

Part Number	Description	Color	Explore
INFP170U	NA Style Flat Unshuttered, Unloaded 2 Port	White	
INFP270U	NA Style Flat Unshuttered, Unloaded 2 Port	White	
INFP370U	NA Style Flat Unshuttered, Unloaded 3 Port	White	
INFP470U	NA Style Flat Unshuttered, Unloaded 4 Port	White	
INFP670U	NA Style Flat Unshuttered, Unloaded 6 Port	White	

Custom color and metallic finish available

Dimensions





NA Style Face Plate



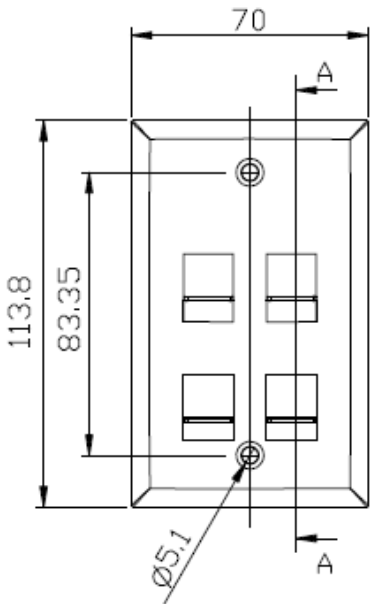
Features

- 4 Ports NA Style Shuttered
- Designed to accept Infinique Keystone Jacks
- Available Ports: 1, 2, and 4
- Reduces patch cord bending
- UL94V-0 material for extra durability
- RoHS Compliant

Part Number	Description	Color	Explore
INFP170S	NA Style Flat Shuttered, Unloaded 1 Port	White	
INFP270S	NA Style Flat Shuttered, Unloaded 2 Port	White	
INFP470S	NA Style Flat Shuttered, Unloaded 4 Port	White	

Custom color and metallic finish available

Dimensions





Floor Mount Bracket

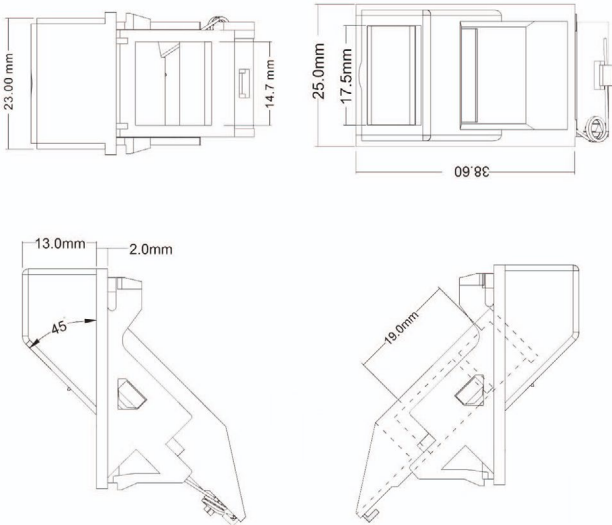


Features

- Angled Shuttered Floor Mount Bracket
- Designed to accept Infinique Keystone Jacks
- Optimizes space and suitable for floor boxes
- Reduces patch cord bending
- UL94V-0 material for extra durability
- RoHS Compliant

Part Number	Description	Shutter	Color	Explore
INFBA38	Floor Mount Bracket	Angled	White	
Custom color available				

Dimensions





CABLE MANAGERS



5 Ring

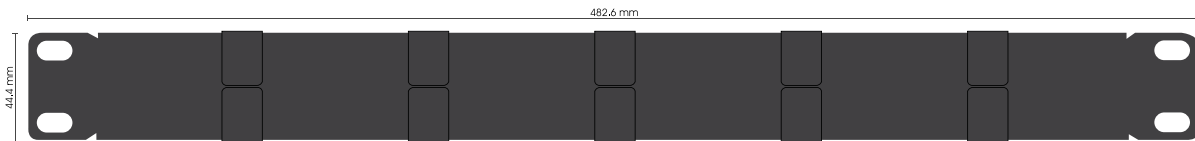


Features

SPCC Cold Rolled Steel
19 inch Rack Mountable
Includes Rack Mounting Accessories
UL94V-0 Material, RoHS Compliant
Packing Type is 1 Unit

Part Number	Description	Material	Rack Unit	Color	Explore
INMPT5M	5 Ring Panel	Steel	1U	Black, RAL 9004	

Dimensions





Finger Panel

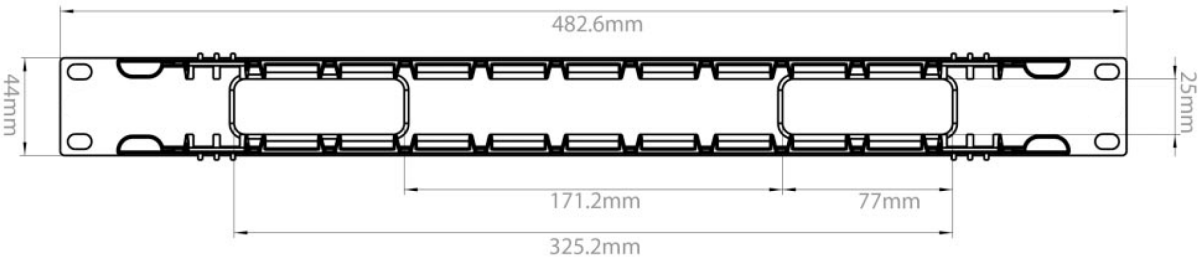


Features

- SPCC Cold Rolled Steel
- 19 inch Rack Mountable
- Includes Rack Mounting Accessories
- UL94V-0 Material, RoHS Compliant
- Packing Type is 1 Unit

Part Number	Description	Material	Rack Unit	Color	Explore
INMPF1U	Finger Panel	Steel	1U	Black, RAL 9004	

Dimensions





Brush Panel

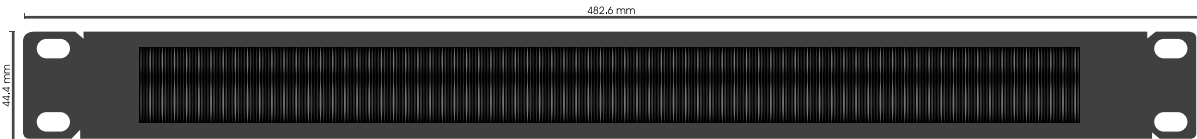
Features



SPCC Cold Rolled Steel
19 inch Rack Mountable
Includes Rack Mounting Accessories
UL94V-0 Material, RoHS Compliant
Packing Type is 1 Unit

Part Number	Description	Material	Rack Unit	Color	Explore
INMPB1U	Brush Panel	Steel	1U	Black, RAL 9004	

Dimensions





Blank Panel

Features



SPCC Cold Rolled Steel
19 inch Rack Mountable
Includes Rack Mounting Accessories
UL94V-0 Material, RoHS Compliant
Packing Type is 1 Unit

Part Number	Description	Material	Rack Unit	Color	Explore
INMPK2U	Blank Panel	Steel	1U	Black, RAL 9004	

Dimensions





ACCESSORIES



Category 6A Patch Cord Plugs

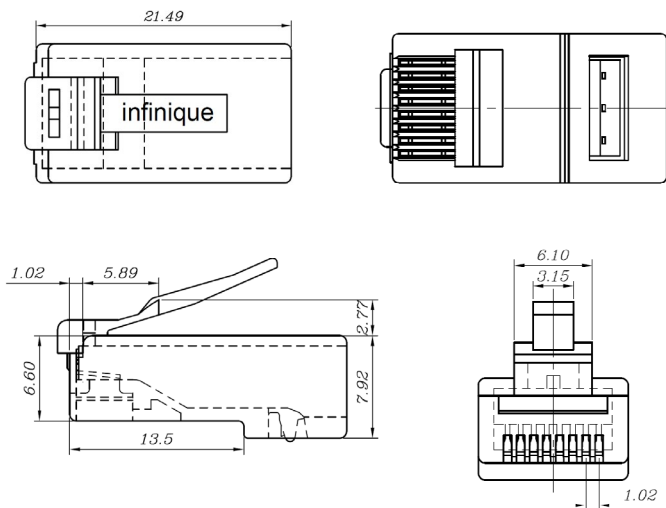


Features

Cat.6A RJ45 UTP Patch Cord Plugs
 Accepts 23 to 28 AWG stranded wire
 Connectors with 50 micron gold-plated contacts
 UL94V-0 Material, RoHS Compliant

Part Number	Description	Color	Explore
INPL6AU8CT	Cat.6A Unshielded Patch Cord Plugs	Transparent	

Dimensions





Category 6A Patch Cord Plugs

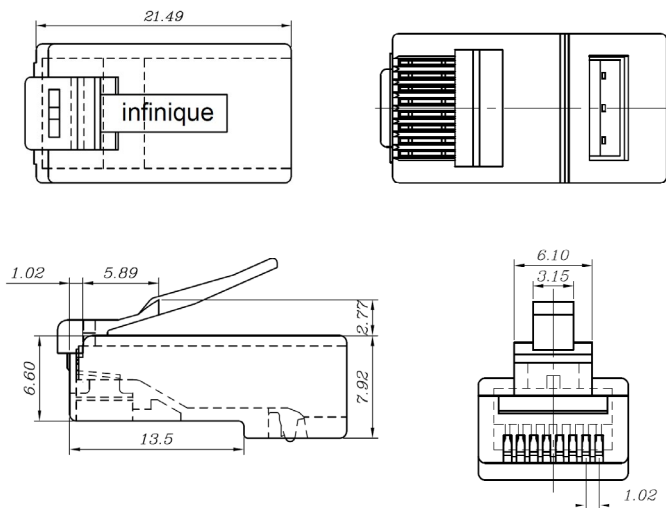


Features

- Cat.6A RJ45 Shielded Patch Cord Plugs
- Accepts 23 to 28 AWG stranded wire
- Connectors with 50 micron gold-plated contacts
- UL94V-0 Material, RoHS Compliant

Part Number	Description	Color	Explore
INPL6AS8CT	Cat.6A Shielded Patch Cord Plugs	Steel	

Dimensions





FIBER CABLES



FTTH Indoor Singlemode

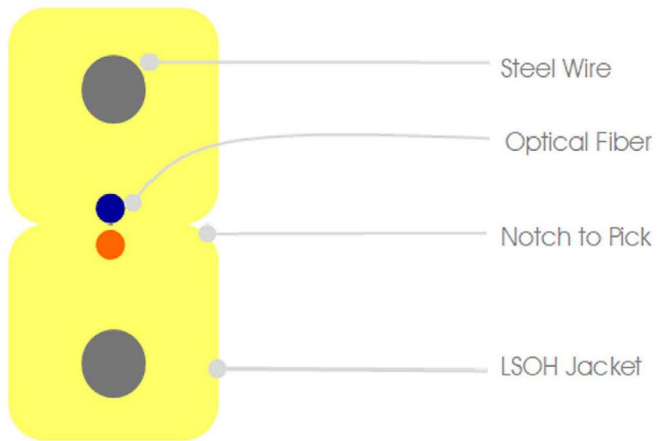


Features

FTTH Cable, GSW Strength Member, LSOH
 10G Ethernet Performance
 Available in 2 to 4 Cores
 RoHS Compliant
 Packing Type is Reel

Part Number	Description	Jacket	Length	Color	Explore
IFOCSMFG2	FTTH Indoor 2C	LSOH	1000 m	Yellow, RAL1023	
IFOCSMFG4	FTTH Indoor 4C	LSOH	1000 m	Yellow, RAL1023	

Cable Construction





FTTH Outdoor Singlemode

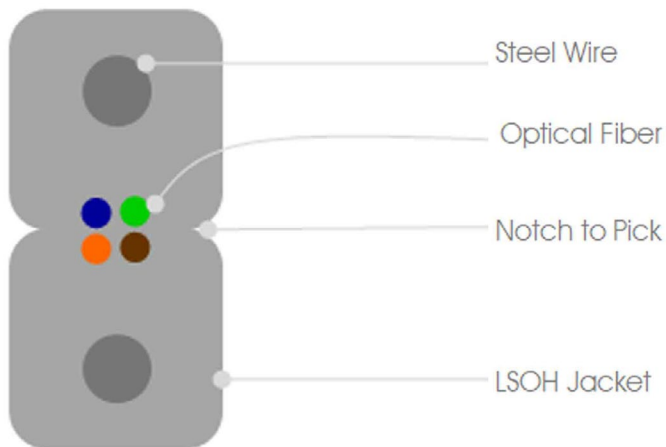


Features

FTTH Cable, Flame Retardant, LSOH
 10G Ethernet Performance
 Available in 2 to 4 Cores
 RoHS Compliant
 Packing Type is Reel

Part Number	Description	Jacket	Length	Color	Explore
IFOCSMFO2	FTTH Outdoor 2C	LSOH	1000 m	Black, RAL 9005	
IFOCSMFO4	FTTH Outdoor 4C	LSOH	1000 m	Black, RAL 9005	

Cable Construction





Central Loose Tube Singlemode



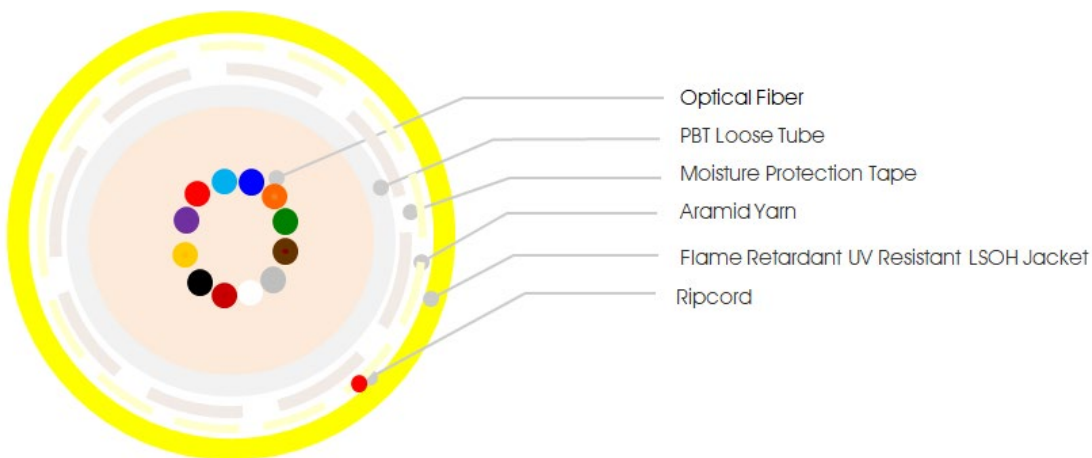
Features

- CLT Indoor Outdoor, SM, LSOH
- 10G Ethernet Performance
- Available in 2 to 24 Cores
- RoHS Compliant
- Packing Type is Reel

Part Number	Description	Jacket	Length	Color	Explore
IFOCSMLTNL	CLT SM G.652.D cable	LSOH	1000 m	Yellow, RAL1023	
IFOCS1LTNL	CLT SM OS2 cable	LSOH	1000 m	Yellow, RAL1023	
IFOCS2LTNL	CLT SM G.657.A1 cable	LSOH	1000 m	Yellow, RAL1023	
IFOCS3LTNL	CLT SM G.657.A2 cable	LSOH	1000 m	Yellow, RAL1023	
IFOCS4LTNL	CLT SM G.657.B2 cable	LSOH	1000 m	Yellow, RAL1023	
IFOCS5LTNL	CLT SM G.657.B3 cable	LSOH	1000 m	Yellow, RAL1023	

Replace 'N' in Part Number for the number of Fiber Cores

Cable Construction





Central Loose Tube Multimode



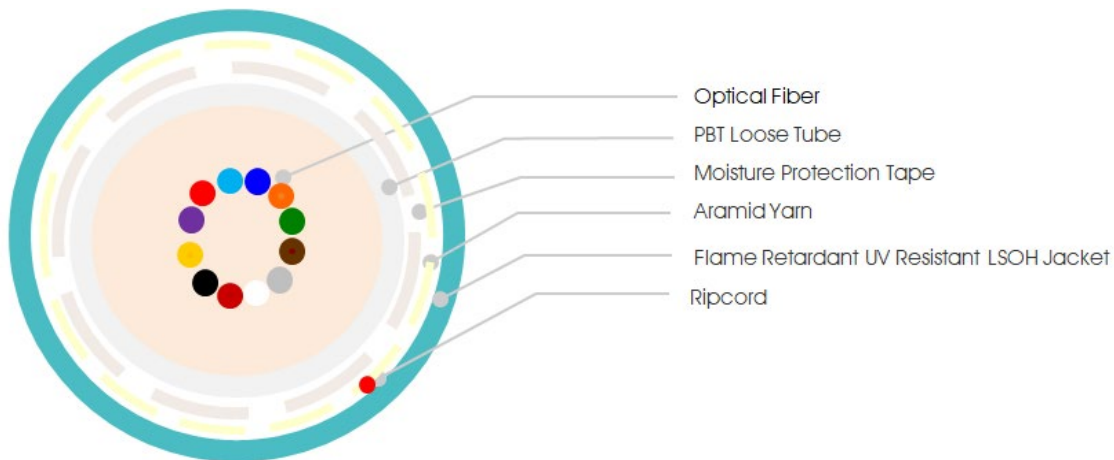
Features

- CLT Indoor Outdoor, MM OM3, OM4, OM5 LSOH
- 10G Ethernet Performance
- Available in 2 to 24 Cores
- RoHS Compliant
- Packing Type is Reel

Part Number	Description	Jacket	Length	Color	Explore
IFOCM3LTNL	CLT MM OM3 cable	LSOH	1000 m	Aqua RAL 6027	
IFOCM4LTNL	CLT MM OM4 cable	LSOH	1000 m	Violet RAL 4005	
IFOCM5LTNL	CLT MM OM5 cable	LSOH	1000 m	Lime Green RAL 6038	

Replace 'N' in Part Number for the number of Fiber Cores

Cable Construction





Stranded Loose Tube Singlemode



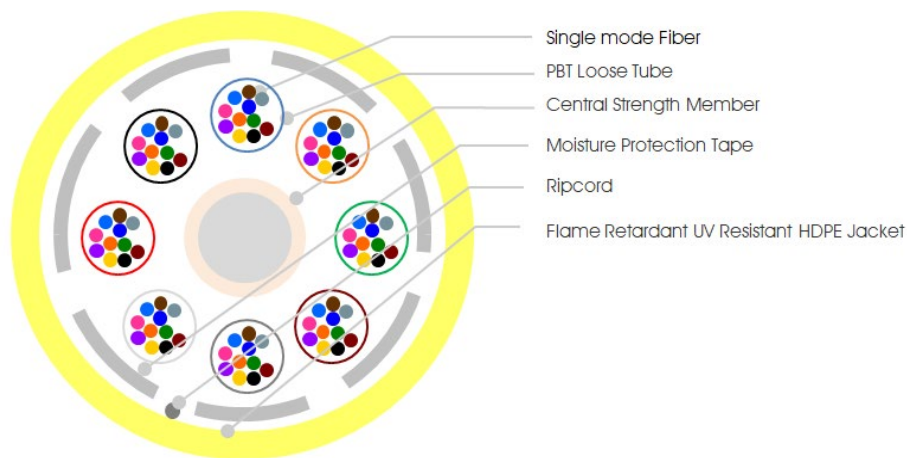
Key Features

- Stranded Loose Tube, SM, LSOH
- 10G Ethernet Performance
- Available in 25 to 288 Cores
- RoHS Compliant
- Packing Type is Reel

Part Number	Description	Jacket	Length	Color	Explore
IFOC5MLTNNL	SLT SM G.652.D cable	LSOH	1000 m	Yellow, RAL1023	
IFOC51LTNNL	SLT SM OS2 cable	LSOH	1000 m	Yellow, RAL1023	
IFOC52LTNNL	SLT SM G.657.A1 cable	LSOH	1000 m	Yellow, RAL1023	
IFOC53LTNNL	SLT SM G.657.A2 cable	LSOH	1000 m	Yellow, RAL1023	
IFOC54LTNNL	SLT SM G.657.B2 cable	LSOH	1000 m	Yellow, RAL1023	
IFOC55LTNNL	SLT SM G.657.B3 cable	LSOH	1000 m	Yellow, RAL1023	

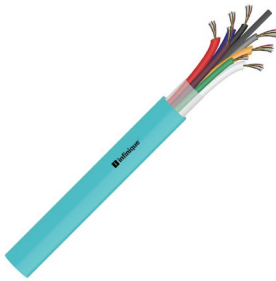
Replace 'N' in Part Number for the number of Fiber Cores

Cable Construction





Stranded Loose Tube Multimode



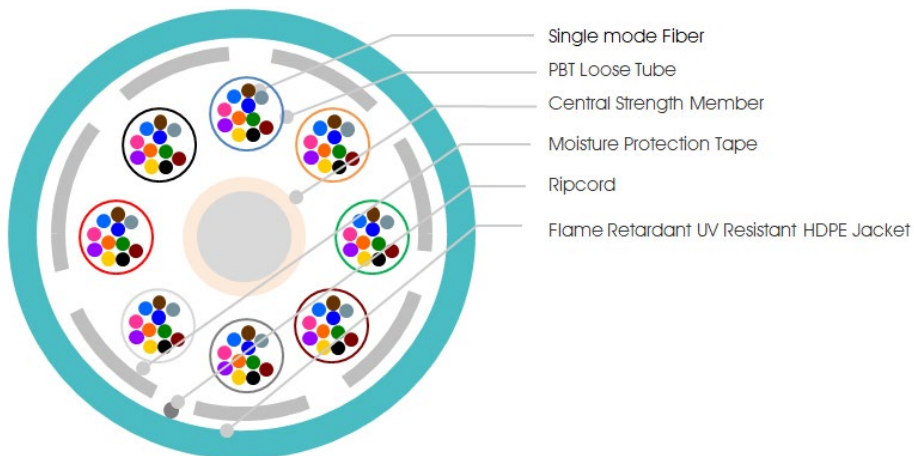
Features

Stranded Loose Tube, MM OM3, OM4, OM5 LSOH
 10G Ethernet Performance
 Available in 25 to 288 Cores
 RoHS Compliant
 Packing Type is Reel

Part Number	Description	Jacket	Length	Color	Explore
IFOCM3LTNNL	SLT MM OM3 cable	LSOH	1000 m	Aqua RAL 6027	
IFOCM4LTNNL	SLT MM OM4 cable	LSOH	1000 m	Violet RAL 4005	
IFOCM5LTNNL	SLT MM OM5 cable	LSOH	1000 m	Lime Green RAL 6038	

Replace 'N' in Part Number for the number of Fiber Cores

Cable Construction





Rodent and Termite Resistant Singlemode



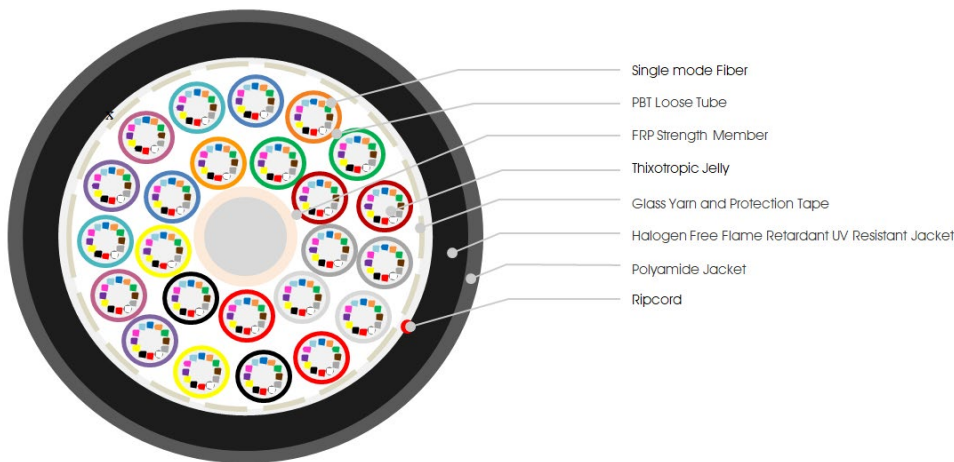
Features

CLT Indoor Outdoor, SM, LSOH
Rodent and Termite Resistant
10G Ethernet Performance
Available in 25 to 288 Cores

Part Number	Description	Jacket	Length	Color	Explore
IFOC5MLTNRL	CLT SM Cable	LSOH	1000 m	Black, RAL 9005	
IFOC51LTNRL	CLT SM OS2 cable	LSOH	1000 m	Black, RAL 9005	
IFOC52LTNRL	CLT SM G.657.A1 cable	LSOH	1000 m	Black, RAL 9005	
IFOC53LTNRL	CLT SM G.657.A2 cable	LSOH	1000 m	Black, RAL 9005	
IFOC54LTNRL	CLT SM G.657.B2 cable	LSOH	1000 m	Black, RAL 9005	
IFOC55LTNRL	CLT SM G.657.B3 cable	LSOH	1000 m	Black, RAL 9005	

Replace 'N' in Part Number for the number of Fiber Cores

Cable Construction





Stranded Loose Tube Armored Singlemode



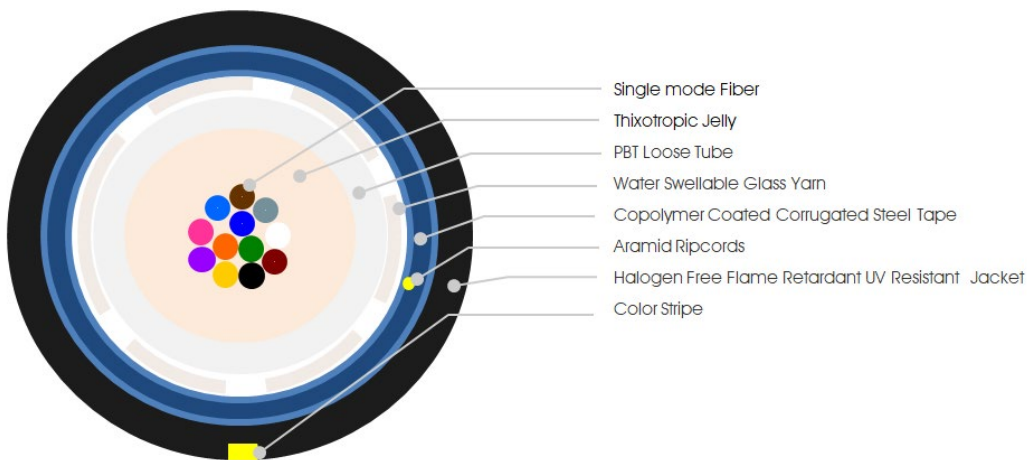
Features

- SLT Armored, SM,
- Direct Burial, Flame Retardant, UV Resistant Jacket
- 10G Ethernet Performance
- Available in 2 to 24 Cores
- RoHS Compliant
- Packing Type is Reel

Part Number	Description	Jacket	Length	Color	Explore
IFOC5MLTNA	SLT Armored SM G.652.D cable	FRUV	1000 m	Black, RAL 9005	
IFOC51LTNA	SLT Armored SM OS2 cable	FRUV	1000 m	Black, RAL 9005	
IFOC52LTNA	SLT Armored SM G.657.A1 cable	FRUV	1000 m	Black, RAL 9005	
IFOC53LTNA	SLT Armored SM G.657.A2 cable	FRUV	1000 m	Black, RAL 9005	
IFOC54LTNA	SLT Armored SM G.657.B2 cable	FRUV	1000 m	Black, RAL 9005	
IFOC55LTNA	SLT Armored SM G.657.B3 cable	FRUV	1000 m	Black, RAL 9005	

Replace 'N' in Part Number for the number of Fiber Cores

Cable Construction





Stranded Loose Tube Armored Multimode



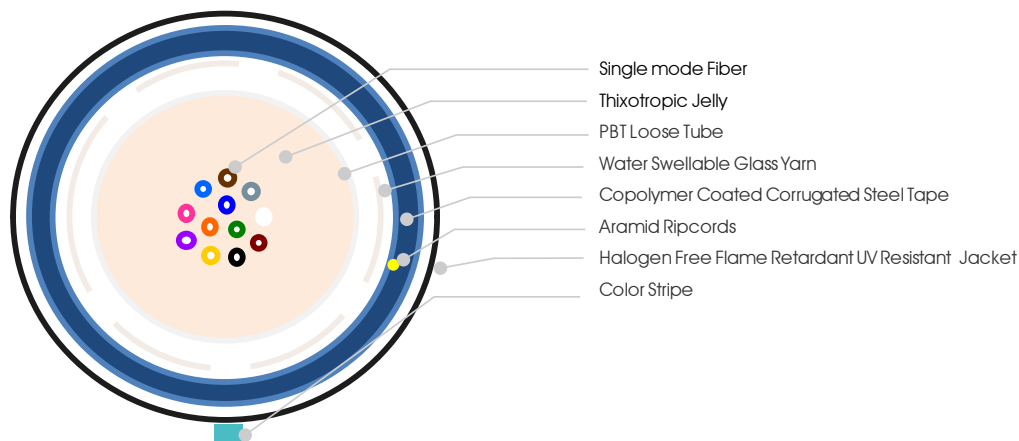
Features

- SLT Armored, MM OM3, OM4
- Direct Burial, Flame Retardant, UV Resistant Jacket
- 10G Ethernet Performance
- Available in 2 to 24 Cores
- RoHS Compliant
- Packing Type is Reel

Part Number	Description	Jacket	Length	Color	Explore
IFOCM3LTNA	SLT Armored MM OM3 cable	FRUV	1000 m	Black, RAL 9005	
IFOCM4LTNA	SLT Armored MM OM4 cable	FRUV	1000 m	Black, RAL 9005	
IFOCM5LTNA	SLT Armored MM OM5 cable	FRUV	1000 m	Black, RAL 9005	

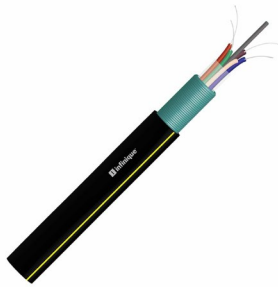
Replace 'N' in Part Number for the number of Fiber Cores

Cable Construction





Stranded Loose Tube Armored Singlemode



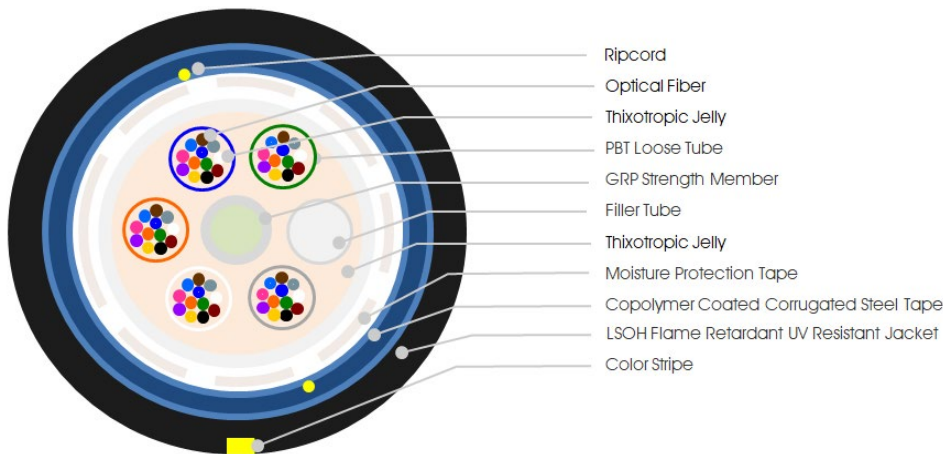
Features

- SLT Armored, SM
- Direct Burial, Flame Retardant, UV Resistant Jacket
- 10G Ethernet Performance
- Available in 25 to 288 Cores
- RoHS Compliant
- Packing Type is Reel

Part Number	Description	Jacket	Length	Color	Explore
IFOC5MLTNNNA	SLT Armored SM G.652.D cable	PE	1000 m	Black, RAL 9005	
IFOC51LTNNNA	SLT Armored SM OS2 cable	PE	1000 m	Black, RAL 9005	
IFOC52LTNNNA	SLT Armored SM G.657.A1 cable	PE	1000 m	Black, RAL 9005	
IFOC53LTNNNA	SLT Armored SM G.657.A2 cable	PE	1000 m	Black, RAL 9005	
IFOC54LTNNNA	SLT Armored SM G.657.B2 cable	PE	1000 m	Black, RAL 9005	
IFOC55LTNNNA	SLT Armored SM G.657.B3 cable	PE	1000 m	Black, RAL 9005	

Replace 'N' in Part Number for the number of Fiber Cores

Cable Construction





Steel Wire Armored Singlemode



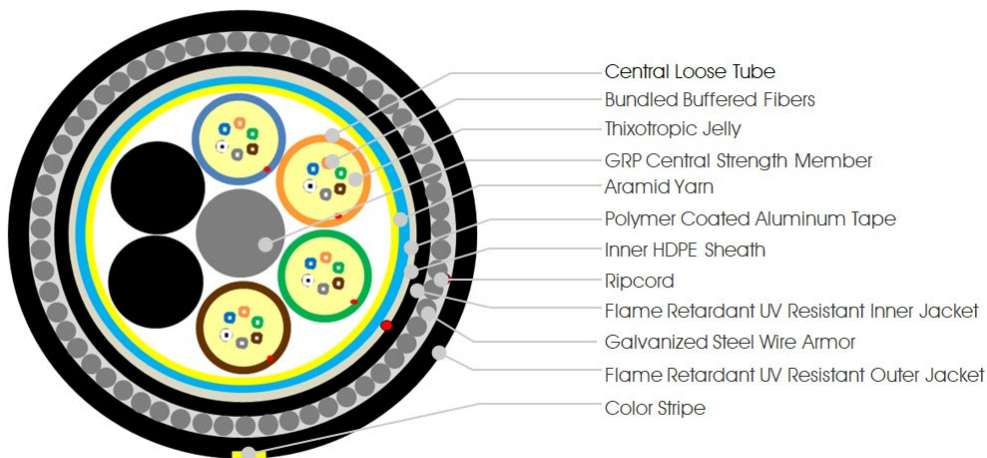
Features

- Steel Wire Armored, SM
- Direct Burial, Dual Fire Retardant Jacket, UV Resistant
- 10G Ethernet Performance
- Available in 2 to 288 Cores
- RoHS Compliant
- Packing Type is Reel

Part Number	Description	Jacket	Length	Color	Explore
IFOC5MLTNAS	SW Armored SM G.652.D cable	Dual	1000 m	Black, RAL 9005	
IFOC51LTNAS	SW Armored SM OS2 cable	Dual	1000 m	Black, RAL 9005	
IFOC52LTNAS	SW Armored SM G.657.A1 cable	Dual	1000 m	Black, RAL 9005	
IFOC53LTNAS	SW Armored SM G.657.A2 cable	Dual	1000 m	Black, RAL 9005	
IFOC54LTNAS	SW Armored SM G.657.B2 cable	Dual	1000 m	Black, RAL 9005	
IFOC55LTNAS	SW Armored SM G.657.B3 cable	Dual	1000 m	Black, RAL 9005	

Replace 'N' in Part Number for the number of Fiber Cores

Cable Construction





Distribution Cable Singlemode



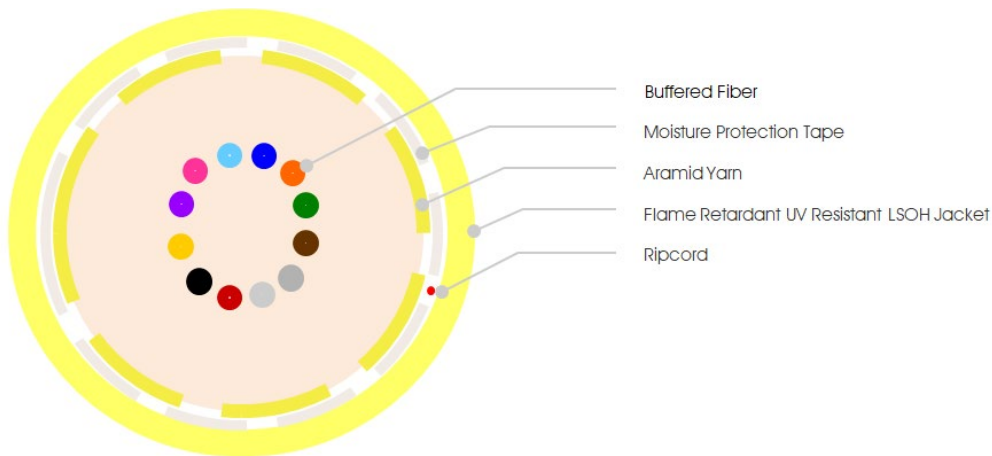
Features

- Distribution Tight Buffer Non-Jelly SM, LSOH
- 10G Ethernet Performance
- Available in 2 to 24 Cores
- RoHS Compliant
- Packing Type is Reel

Part Number	Description	Jacket	Length	Color	Explore
IFOCSMTBNL	Distribution SM G.652.D cable	LSOH	1000 m	Yellow, RAL1023	
IFOCS1TBNL	Distribution SM OS2 cable	LSOH	1000 m	Yellow, RAL1023	
IFOCS2TBNL	Distribution SM G.657.A1 cable	LSOH	1000 m	Yellow, RAL1023	
IFOCS3TBNL	Distribution SM G.657.A2 cable	LSOH	1000 m	Yellow, RAL1023	
IFOCS4TBNL	Distribution SM G.657.B2 cable	LSOH	1000 m	Yellow, RAL1023	
IFOCS5TBNL	Distribution SM G.657.B3 cable	LSOH	1000 m	Yellow, RAL1023	

Replace 'N' in Part Number for the number of Fiber Cores

Cable Construction





Distribution Cable Multimode



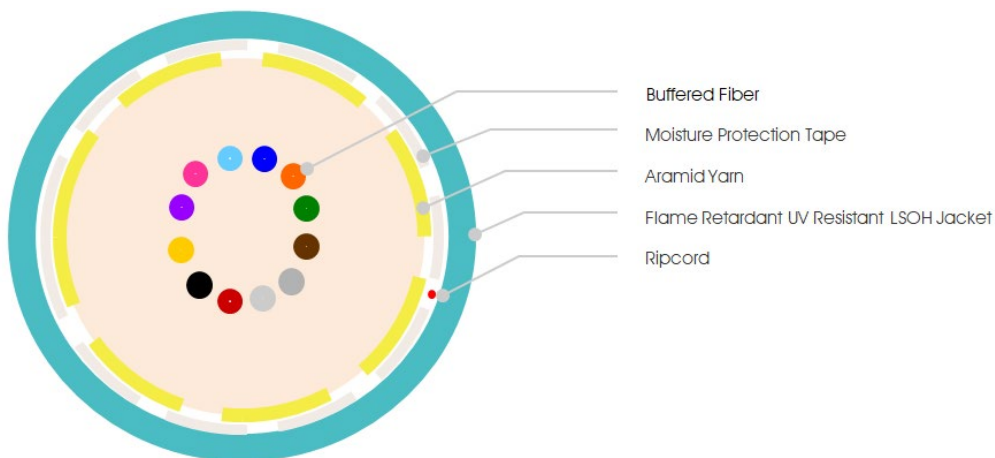
Features

Distribution Tight Buffer Non-Jelly MM OM3, OM4, OM5
 10G Ethernet Performance
 Available in 2 to 24 Cores
 RoHS Compliant
 Packing Type is Reel

Part Number	Description	Jacket	Length	Color	Explore
IFOCM3TBNL	Distribution MM OM3 Cable	LSOH	1000 m	Aqua RAL 6027	
IFOCM4TBNL	Distribution MM OM4 Cable	LSOH	1000 m	Violet RAL 4005	
IFOCM5TBNL	Distribution MM OM5 Cable	LSOH	1000 m	Lime Green RAL 6038	

Replace 'N' in Part Number for the number of Fiber Cores

Cable Construction





Distribution Cable Singlemode



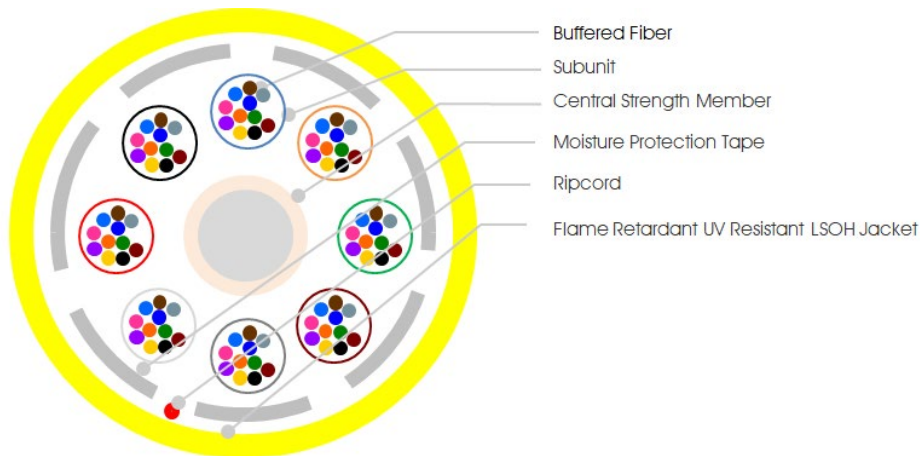
Features

Distribution Tight Buffer Non-Jelly SM, LSOH
 10G Ethernet Performance
 Available in 25 to 288 Cores
 RoHS Compliant
 Packing Type is Reel

Part Number	Description	Jacket	Length	Color	Explore
IFOCSMTBNNL	Distribution SM G.652.D cable	LSOH	1000 m	Yellow, RAL1023	
IFOCS1TBNNL	Distribution SM OS2 cable	LSOH	1000 m	Yellow, RAL1023	
IFOCS2TBNNL	Distribution SM G.657.A1 cable	LSOH	1000 m	Yellow, RAL1023	
IFOCS3TBNNL	Distribution SM G.657.A2 cable	LSOH	1000 m	Yellow, RAL1023	
IFOCS4TBNNL	Distribution SM G.657.B2 cable	LSOH	1000 m	Yellow, RAL1023	
IFOCS5TBNNL	Distribution SM G.657.B3 cable	LSOH	1000 m	Yellow, RAL1023	

Replace 'N' in Part Number for the number of Fiber Cores

Cable Construction





Distribution Cable Multimode



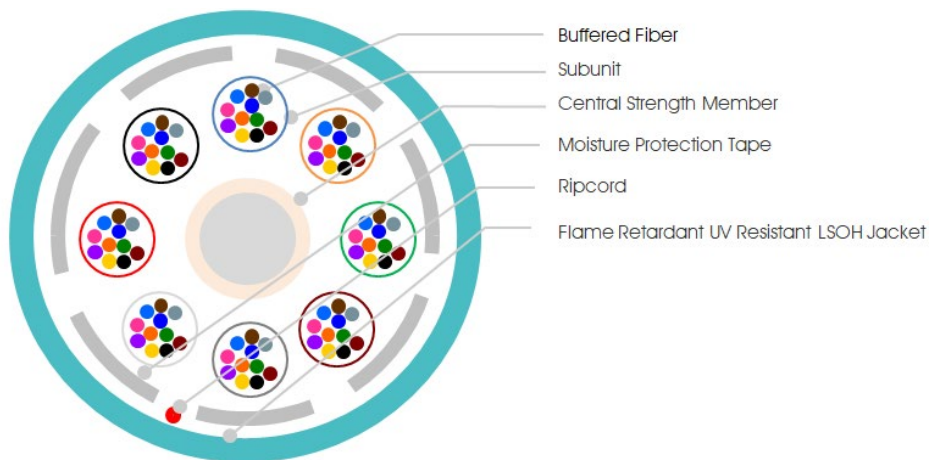
Features

Infinique Tight Buffer Non-Jelly MM OM3, OM4, OM5,
 10G Ethernet Performance
 Available in 25 to 288 Cores
 RoHS Compliant
 Packing Type is Reel

Part Number	Description	Jacket	Length	Color	Explore
IFOCM3TBNL	Distribution MM OM3 Cable	LSOH	1000m	Aqua RAL 6027	
IFOCM4TBNL	Distribution MM OM4 Cable	LSOH	1000m	Violet RAL 4005	
IFOCM5TBNL	Distribution MM OM5 Cable	LSOH	1000m	Lime Green RAL 6038	

Custom length available

Cable Construction



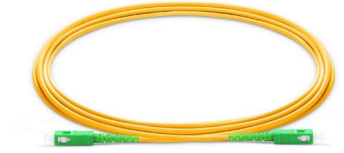


FIBER PATCH CORD



SC-SC APC Simplex Singlemode

Features

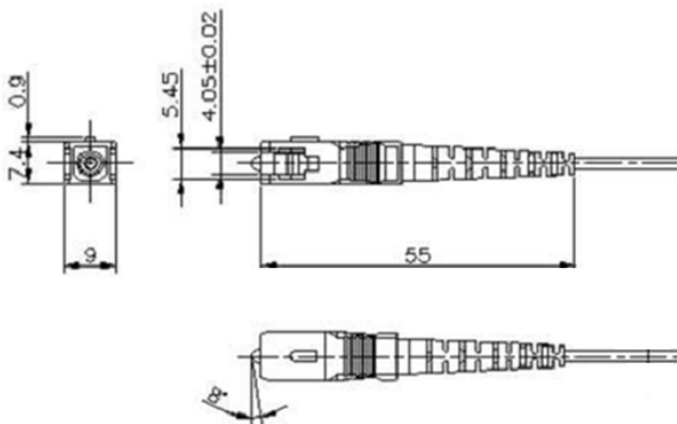


SC-SC APC Simplex
 Singlemode G.657A2 Bend Insensitive
 2.0mm LSOH Cable
 Insertion Loss < 0.3dB
 RoHS Compliant

Part Number	Description	Jacket	Length	Color	Explore
IFAPCSMSCSCS1	SC-SC-APC Simplex SM	LSOH	1m	Yellow, RAL1023	
IFAPCSMSCSCS3	SC-SC-APC Simplex SM	LSOH	3m	Yellow, RAL1023	

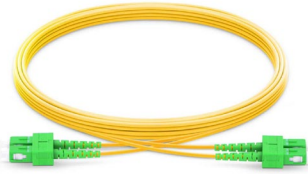
Custom length available

Dimensions





SC-SC APC Duplex Singlemode



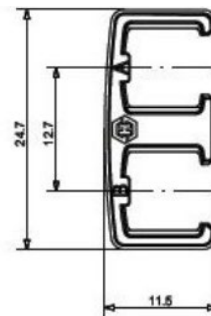
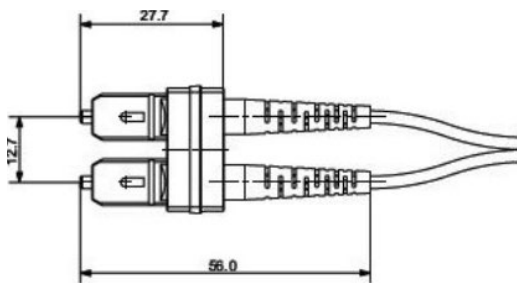
Features

SC-SC APC Duplex
 Singlemode G.657A2 Bend Insensitive
 2.0mm LSOH Cable
 Insertion Loss < 0.3dB
 RoHS Compliant

Part Number	Description	Jacket	Length	Color	Explore
IFAPCSMSCSCD1	SC-SC-APC Duplex SM	LSOH	1m	Yellow, RAL1023	
IFAPCSMSCSCD3	SC-SC-APC Duplex SM	LSOH	3m	Yellow, RAL1023	

Custom length available

Dimensions





SC-SC UPC Simplex Multimode

Features

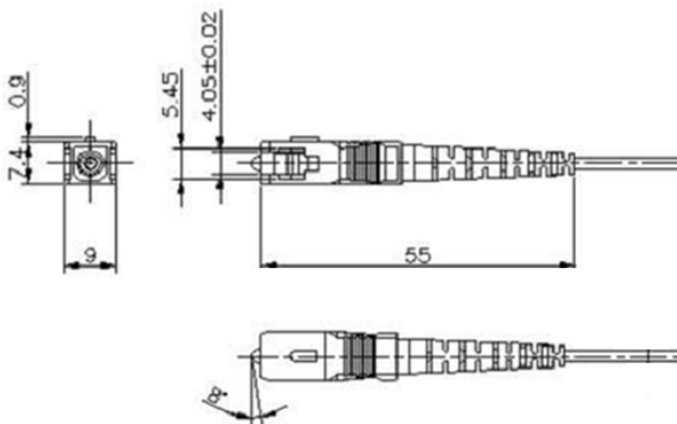


SC-SC UPC Simplex
 Multimode OM3, OM4, OM5
 2.0mm LSOH Cable
 Insertion Loss < 0.3dB
 RoHS Compliant

Part Number	Description	Jacket	Length	Color	Explore
IFPCM3SCSCS3	SC-SC-UPC Simplex OM3	LSOH	3m	Aqua RAL 6027	
IFPCM4SCSCS3	SC-SC-UPC Simplex OM4	LSOH	3m	Violet RAL 4005	
IFPCM5SCSCS3	SC-SC-UPC Simplex OM5	LSOH	3m	Lime Green RAL 6038	

Custom length available

Dimensions





SC-SC UPC Duplex Multimode



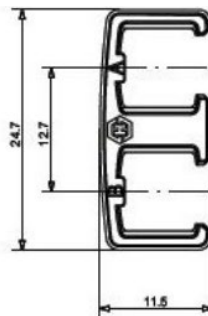
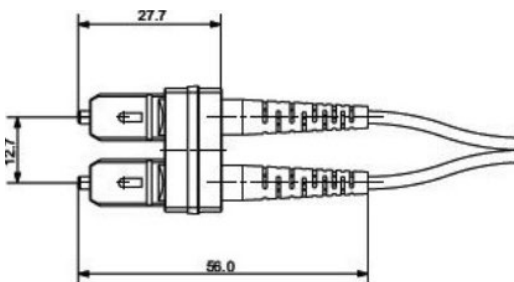
Features

SC-SC UPC Duplex
 Multimode OM3, OM4, OM5
 2.0mm LSOH Cable
 Insertion Loss < 0.3dB
 RoHS Compliant

Part Number	Description	Jacket	Length	Color	Explore
IFPCM3SCSCD3	SC-SC-UPC Duplex OM3	LSOH	3m	Aqua RAL 6027	
IFPCM4SCSCD3	SC-SC-UPC Duplex OM4	LSOH	3m	Violet RAL 4005	
IFPCM5SCSCD3	SC-SC-UPC Duplex OM5	LSOH	3m	Lime Green RAL 6038	

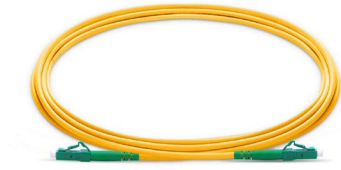
Custom length available

Dimensions





LC-LC APC Duplex Singlemode



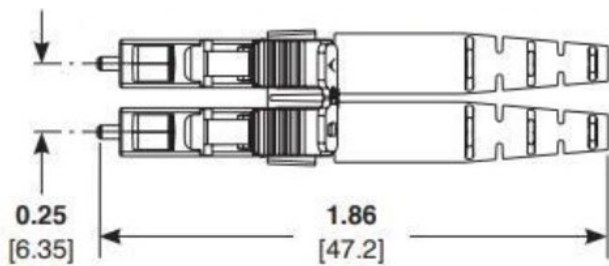
Features

LC-LC APC Duplex
 Singlemode G.657A2 Bend Insensitive
 2.0mm LSOH Cable
 Insertion Loss < 0.3dB
 RoHS Compliant

Part Number	Description	Jacket	Length	Color	Explore
IFAPCSMLCLCD1	LC-LC-APC Duplex SM	LSOH	1m	Yellow, RAL1023	
IFAPCSMLCLCD3	LC-LC-APC Duplex SM	LSOH	3m	Yellow, RAL1023	

Custom length available

Dimensions





LC-LC UPC Duplex Multimode

Features

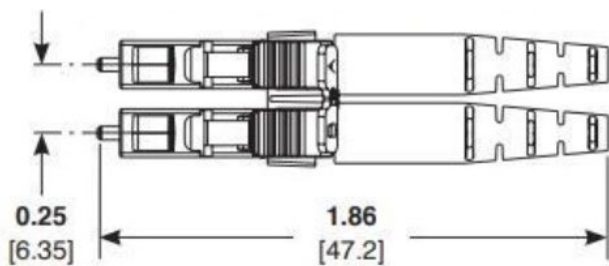


LC-LC UPC Duplex
 Multimode OM3, OM4, OM5
 2.0mm LSOH Cable
 Insertion Loss < 0.3dB
 RoHS Compliant

Part Number	Description	Jacket	Length	Color	Explore
IFPCM3LCLCD1	LC-LC-UPC Duplex OM3	LSOH	1m	Aqua RAL 6027	
IFPCM3LCLCD3	LC-LC-UPC Duplex OM3	LSOH	3m	Aqua RAL 6027	
IFPCM4LCLCD1	LC-LC-UPC Duplex OM4	LSOH	1m	Violet RAL 4005	
IFPCM4LCLCD3	LC-LC-UPC Duplex OM4	LSOH	3m	Violet RAL 4005	
IFPCM5LCLCD1	LC-LC-UPC Duplex OM5	LSOH	1m	Lime Green RAL 6038	
IFPCM5LCLCD3	LC-LC-UPC Duplex OM5	LSOH	3m	Lime Green RAL 6038	

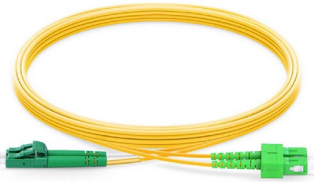
Custom length available

Dimensions





SC-LC APC Duplex Singlemode



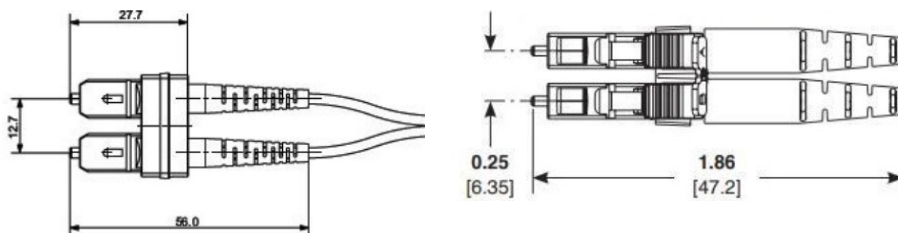
Features

SC-LC APC Duplex
 Singlemode G.657A2 Bend Insensitive
 2.0mm LSOH Cable
 Insertion Loss < 0.3dB
 RoHS Compliant

Part Number	Description	Jacket	Length	Color	Explore
IFAPCSMSCLCD1	SC-LC-APC Duplex SM	LSOH	1m	Yellow, RAL1023	
IFAPCSMSCLCD3	SC-LC-APC Duplex SM	LSOH	3m	Yellow, RAL1023	

Custom length available

Dimensions





ST-ST APC Simplex Singlemode



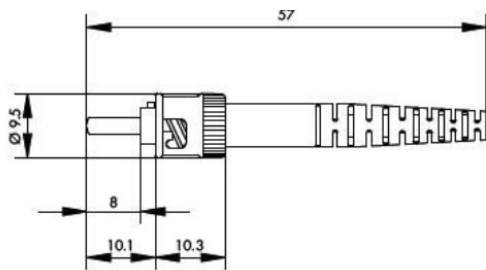
Features

ST-ST APC Simplex
 Singlemode G.657A2 Bend Insensitive
 2.0mm LSOH Cable
 Insertion Loss < 0.3dB
 RoHS Compliant

Part Number	Description	Jacket	Length	Color	Explore
IFPCSMSTSTS1	ST-ST-APC Simplex SM	LSOH	1m	Yellow, RAL1023	
IFPCSMSTSTS3	ST-ST-APC Simplex SM	LSOH	3m	Yellow, RAL1023	

Custom length available

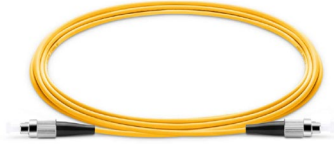
Dimensions





FC-FC APC Simplex Singlemode

Features

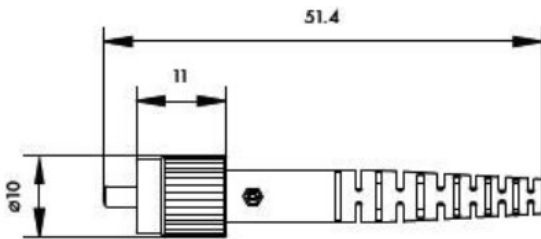


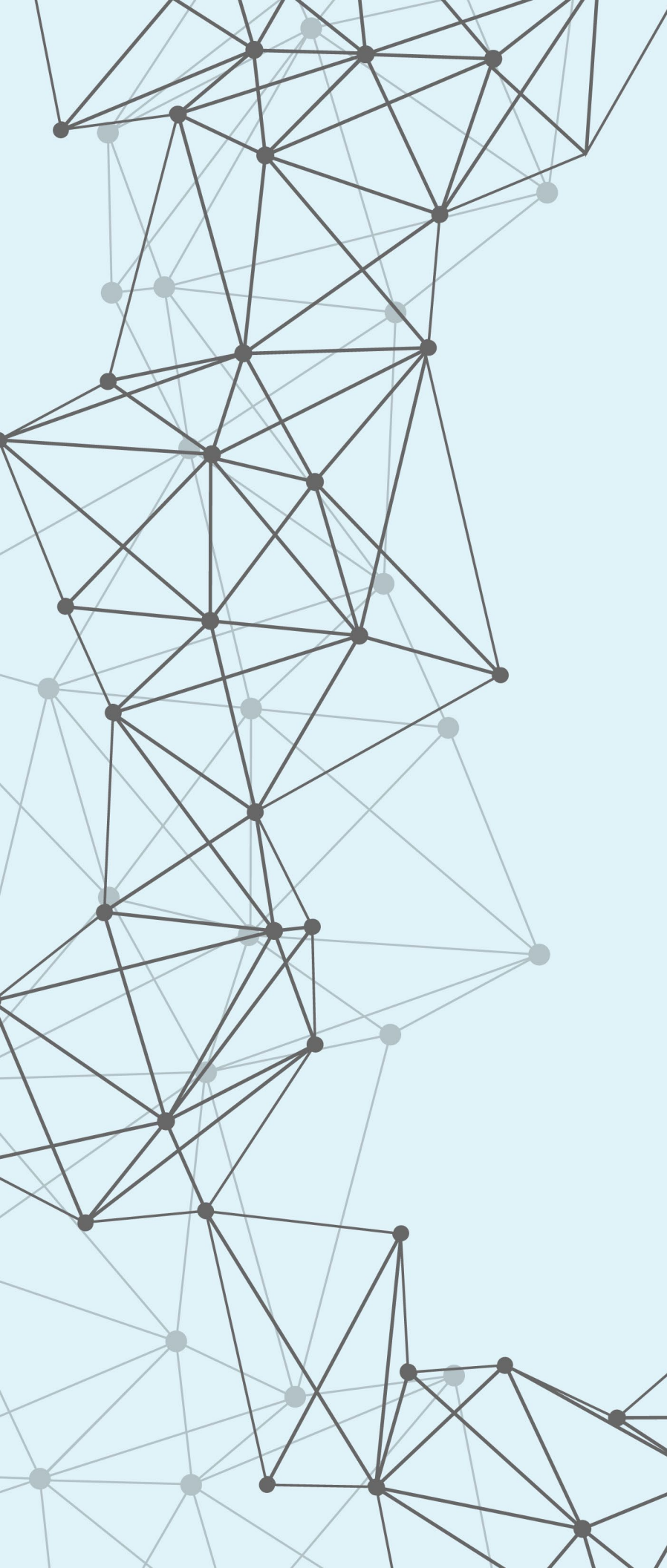
FC-FC APC Simplex
 Singlemode G.657A2 Bend Insensitive
 2.0mm LSOH Cable
 Insertion Loss < 0.3dB
 RoHS Compliant

Part Number	Description	Jacket	Length	Color	Explore
IFAPCSMFCFCS1	FC-FC-APC Simplex SM	LSOH	1m	Yellow, RAL1023	
IFAPCSMFCFCS3	FC-FC-APC Simplex SM	LSOH	3m	Yellow, RAL1023	

Custom length available

Dimensions



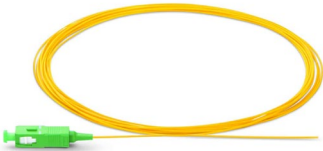


FIBER PIGTAIL



SC-APC Simplex Singlemode

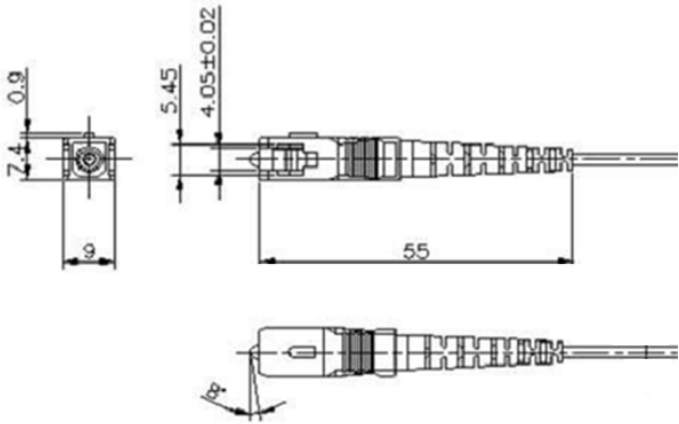
Features



SC APC Simplex
 Singlemode G.657A2 Bend Insensitive
 0.9mm LSOH Cable
 Insertion Loss < 0.3dB
 RoHS Compliant
 Packing Type is 10 Units

Part Number	Description	Jacket	Length	Color	Explore
IFAPSMSC1-10	SC APC SM	LSOH	1m	Yellow, RAL1023	
Custom length available					

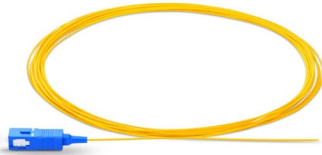
Dimensions





SC-UPC Simplex Singlemode

Features

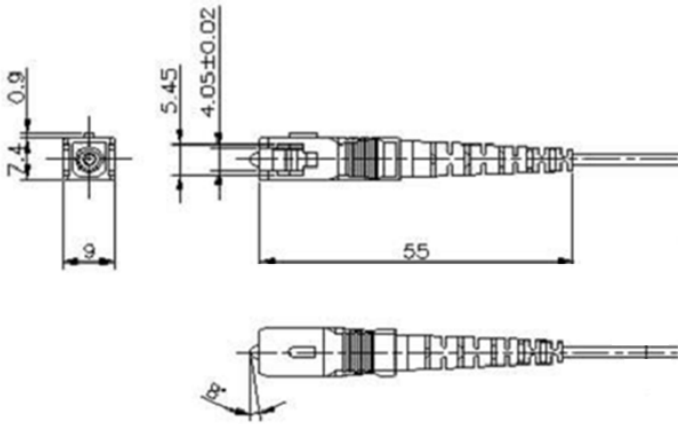


SC UPC Simplex
 Singlemode G.657A2 Bend Insensitive
 0.9mm LSOH Cable
 Insertion Loss < 0.3dB
 RoHS Compliant
 Packing Type is 10 Units

Part Number	Description	Jacket	Length	Color	Explore
IFPTSMSC1-10	SC UPC SM	LSOH	1m	Yellow, RAL1023	

Custom length available

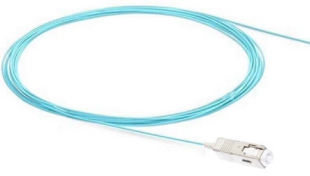
Dimensions





SC-UPC Simplex Multimode

Features

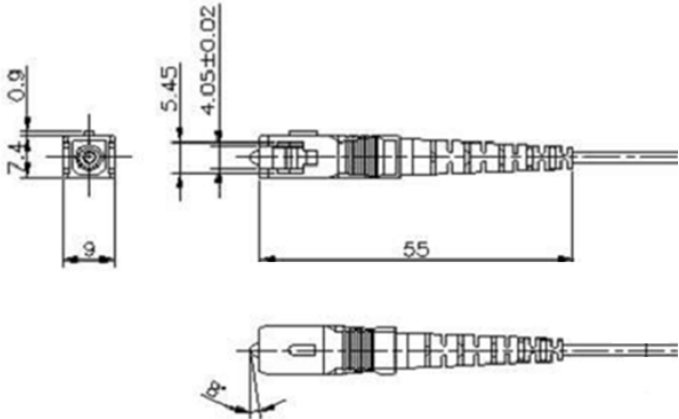


SC UPC Simplex
 Multimode OM3, OM4, OM5
 0.9mm LSOH Cable
 Insertion Loss < 0.3dB
 RoHS Compliant
 Packing Type is 10 Units

Part Number	Description	Jacket	Length	Color	Explore
IFPTM3SC1-10	SC UPC Simplex OM3	LSOH	1m	Aqua RAL 6027	
IFPTM4SC1-10	SC UPC Simplex OM4	LSOH	1m	Violet RAL 4005	
IFPTM5SC1-10	SC UPC Simplex OM5	LSOH	1m	Lime Green RAL 6038	

Custom length available

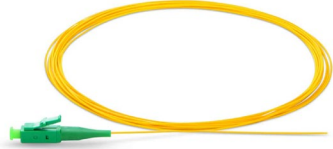
Dimensions





LC-APC Simplex Singlemode

Features

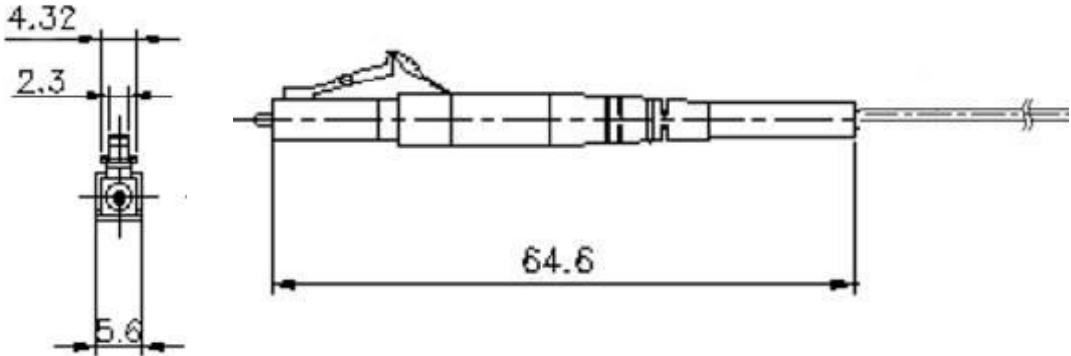


LC APC Simplex
Singlemode G.657A2 Bend Insensitive
0.9mm LSOH Cable
Insertion Loss < 0.3dB
RoHS Compliant
Packing Type is 10 Units

Part Number	Description	Jacket	Length	Color	Explore
IFAPTSMLC1-10	LC APC SM	LSOH	1m	Yellow, RAL1023	

Custom length available

Dimensions





LC-UPC Simplex Singlemode

Features

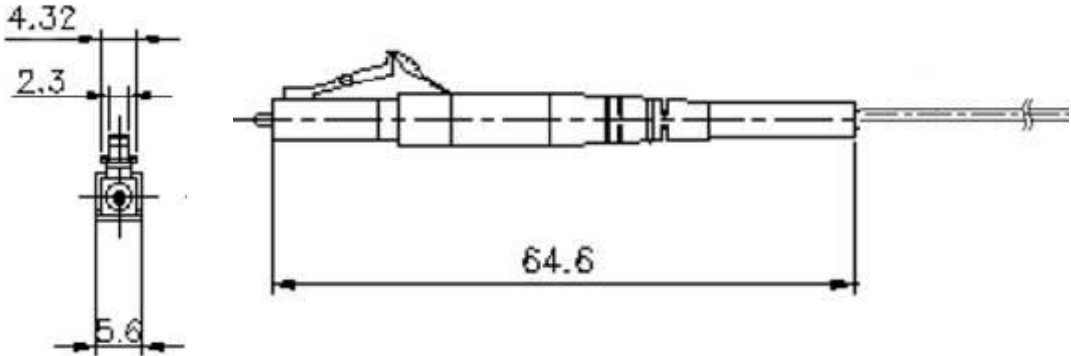


LC UPC Simplex
Singlemode G.657A2 Bend Insensitive
0.9mm LSOH Cable
Insertion Loss < 0.3dB
RoHS Compliant
Packing Type is 10 Units

Part Number	Description	Jacket	Length	Color	Explore
IFPTSMC1-10	LC UPC Simplex SM	LSOH	1m	Yellow, RAL1023	

Custom length available

Dimensions





LC-UPC Simplex Multimode

Features

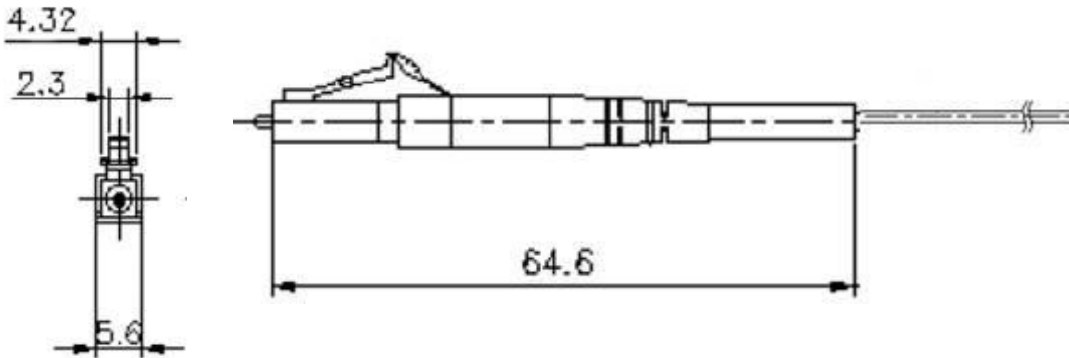


LC UPC Simplex
Multimode OM3
0.9mm LSOH Cable
Insertion Loss < 0.3dB
RoHS Compliant
Packing Type is 10 Units

Part Number	Description	Jacket	Length	Color	Explore
IFPTM3LC1-10	LC UPC Simplex OM3	LSOH	1m	Aqua RAL 6027	
IFPTM4LC1-10	LC UPC Simplex OM4	LSOH	1m	Violet RAL 4005	
IFPTM5LC1-10	LC UPC Simplex OM5	LSOH	1m	Lime Green RAL 6038	

Custom length available

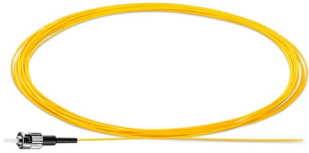
Dimensions





ST-UPC Simplex Singlemode

Features

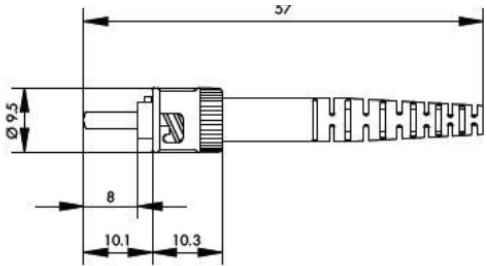


ST UPC Simplex
 Singlemode G.657A2 Bend Insensitive
 0.9mm LSOH Cable
 Insertion Loss < 0.3dB
 RoHS Compliant
 Packing Type is 10 Units

Part Number	Description	Jacket	Length	Color	Explore
IFPTSMST1-10	ST UPC Simplex SM	LSOH	1m	Yellow, RAL1023	

Custom length available

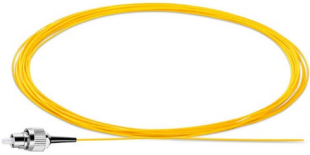
Dimensions





FC-UPC Simplex Singlemode

Features

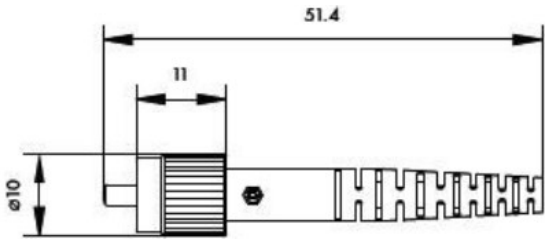


FC UPC Simplex
Singlemode G.657A2 Bend Insensitive
0.9mm LSOH Cable
Insertion Loss < 0.3dB
RoHS Compliant
Packing Type is 10 Units

Part Number	Description	Jacket	Length	Color	Explore
IFPTSMFC1-10	FC UPC Simplex SM	LSOH	1m	Yellow, RAL1023	

Custom length available

Dimensions





FIBER ADAPTER



SC-APC Simplex

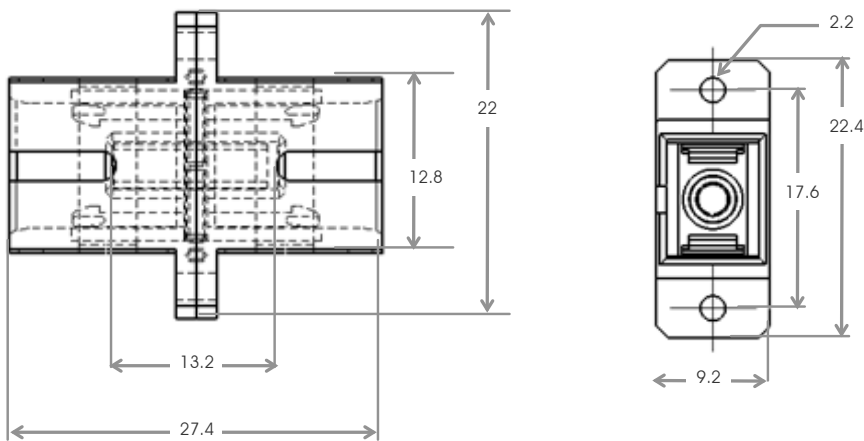
Features



SC APC Flanged Simplex Singlemode
Insertion Loss < 0.2dB
1000 Mating Cycles
Ceramic Sleeve, PBT Housing, UL94-V0
RoHS Compliant
Packing Type is 10 Units

Part Number	Description	Type	Polish	Color	Explore
IFAASMSCS-10	SC-APC SM	Simplex	APC	Green RAL 6018	

Dimensions





SC-APC Slim Simplex

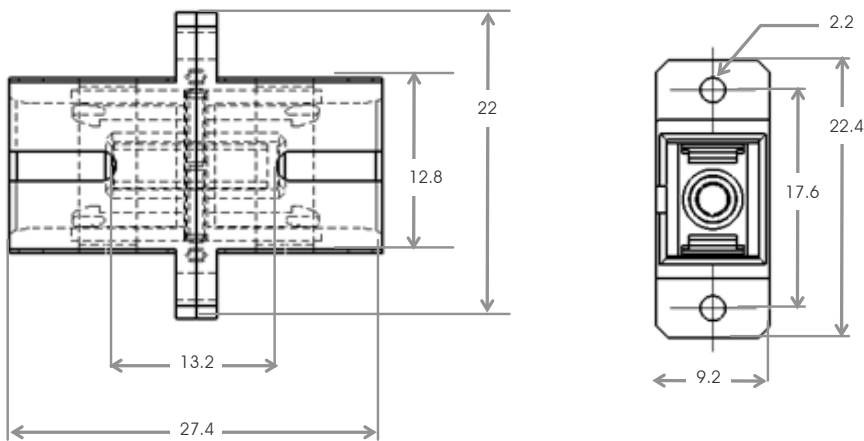
Features



SC APC Slim Simplex Singlemode
Insertion Loss < 0.2dB
1000 Mating Cycles
Ceramic Sleeve, PBT Housing, UL94-V0
RoHS Compliant
Packing Type is 10 Units

Part Number	Description	Type	Polish	Color	Explore
IFSAASMSCS-10	SC-APC SM Slim	Simplex	APC	Green RAL 6018	

Dimensions





SC-APC Duplex

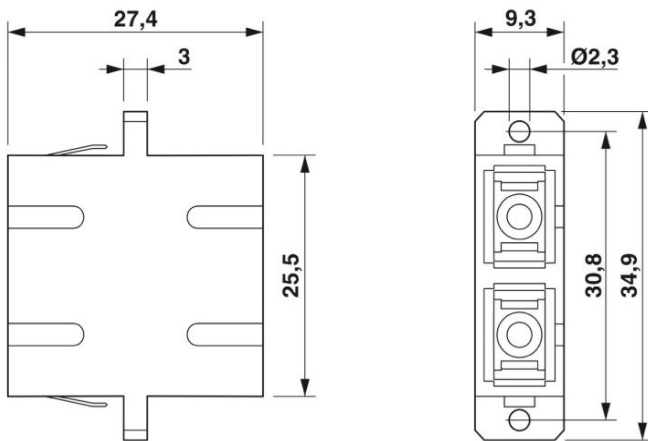


Features

SC APC Flanged Duplex Singlemode
Insertion Loss < 0,2dB
1000 Mating Cycles
Ceramic Sleeve, PBT Housing, UL94-V0
RoHS Compliant
Packing Type is 10 Units

Part Number	Description	Type	Polish	Color	Explore
IFAASMSCD-10	SC-APC SM	Duplex	APC	Green RAL 6018	

Dimensions





LC-APC Duplex

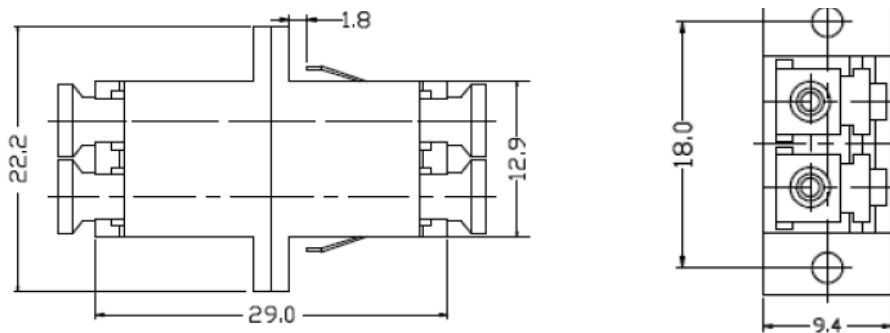


Features

LC APC Flanged Duplex Singlemode
Insertion Loss < 0.2dB
1000 Mating Cycles
Ceramic Sleeve, PBT Housing, UL94-V0
RoHS Compliant
Packing Type is 10 Units

Part Number	Description	Type	Polish	Color	Explore
IFAASMLCD-10	LC-APC SM	Duplex	APC	Green RAL 6018	

Dimensions





LC-APC Slim Duplex

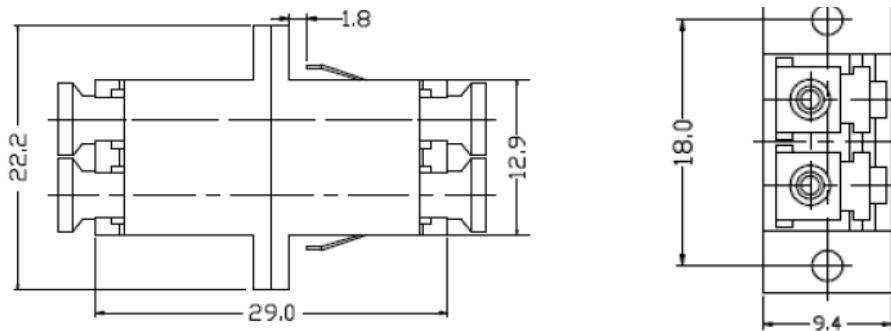
Features



LC APC Slim Duplex Singlemode
Insertion Loss < 0.2dB
1000 Mating Cycles
Ceramic Sleeve, PBT Housing, UL94-V0
RoHS Compliant
Packing Type is 10 Units

Part Number	Description	Type	Polish	Color	Explore
IFSAASMLCD-10	LC-APC SM Slim	Duplex	APC	Green RAL 6018	

Dimensions





SC-UPC Simplex

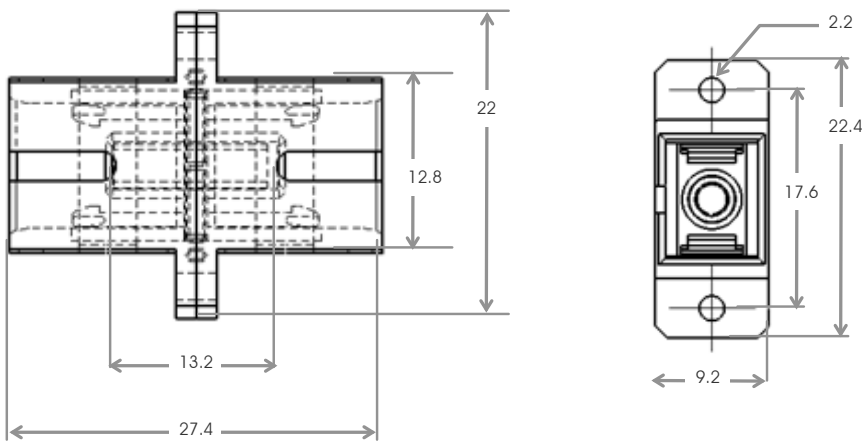
Features



SC UPC Flanged Simplex Singlemode
Insertion Loss < 0.2dB
1000 Mating Cycles
Ceramic Sleeve, PBT Housing, UL94-V0
RoHS Compliant
Packing Type is 10 Units

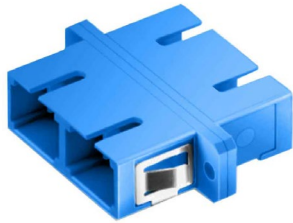
Part Number	Description	Type	Polish	Color	Explore
IFASMSCS-10	SC-UPC SM	Simplex	UPC	Blue RAL 5009	

Dimensions





SC-UPC Duplex

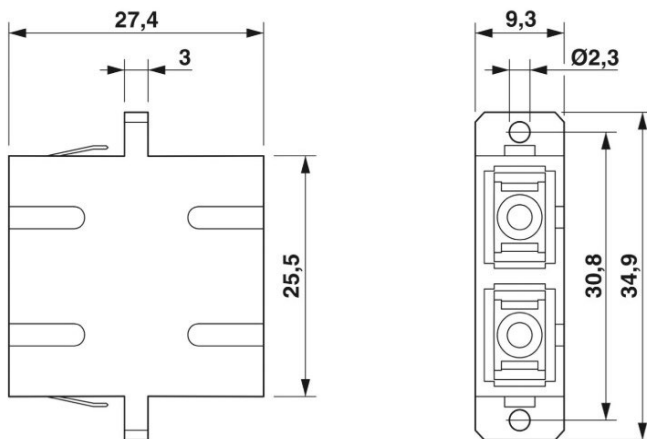


Features

SC UPC Flanged Duplex Singlemode
Insertion Loss < 0,2dB
1000 Mating Cycles
Ceramic Sleeve, PBT Housing, UL94-V0
RoHS Compliant
Packing Type is 10 Units

Part Number	Description	Type	Polish	Color	Explore
IFASMSCD-10	SC-UPC SM	Duplex	UPC	Blue RAL 5009	

Dimensions





LC-UPC Duplex

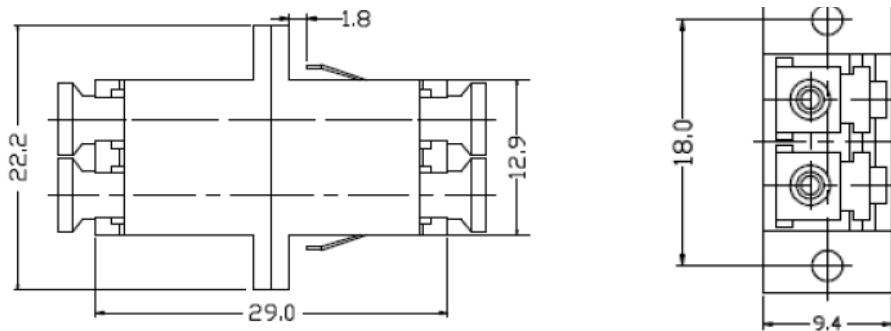


Features

LC UPC Flanged Duplex Singlemode
Insertion Loss < 0.2dB
1000 Mating Cycles
Ceramic Sleeve, PBT Housing, UL94-V0
RoHS Compliant
Packing Type is 10 Units

Part Number	Description	Type	Polish	Color	Explore
IFASMLCD-10	LC-UPC SM	Duplex	UPC	Blue RAL 5009	

Dimensions





LC-UPC Quad

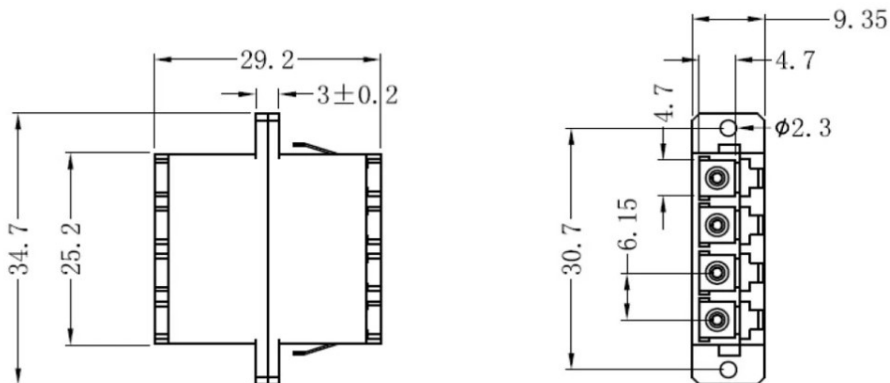
Features



LC UPC Flanged Quad Singlemode
 Insertion Loss < 0.2dB
 1000 Mating Cycles
 Ceramic Sleeve, PBT Housing, UL94-V0
 RoHS Compliant
 Packing Type is 10 Units

Part Number	Description	Type	Polish	Color	Explore
IFASMLCQ-10	LC-UPC SM	Quad	UPC	Blue RAL 5009	

Dimensions





FC-UPC Simplex

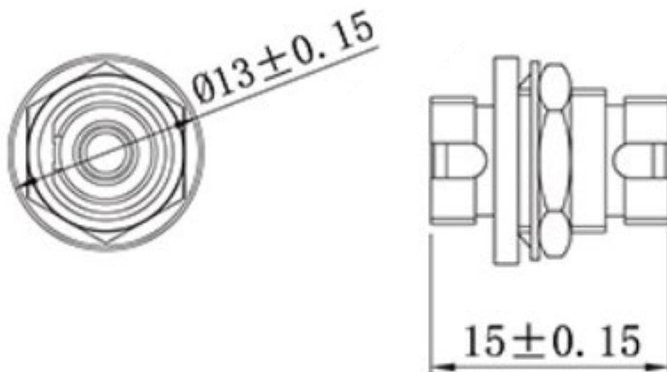
Features



FC UPC Simplex Singlemode
Insertion Loss < 0.2dB
1000 Mating Cycles
Ceramic Sleeve, PBT Housing, UL94-V0
RoHS Compliant
Packing Type is 10 Units

Part Number	Description	Type	Polish	Color	Explore
IFASMFC5	FC-UPC SM	Simplex	UPC	White RAL 9003	

Dimensions





ST-UPC Simplex

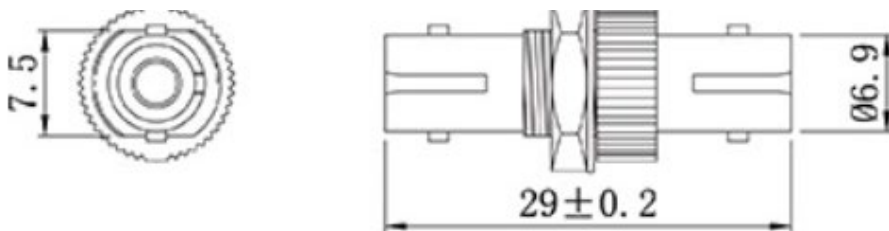
Features



ST UPC Simplex Singlemode
Insertion Loss < 0.2dB
1000 Mating Cycles
Ceramic Sleeve, PBT Housing, UL94-V0
RoHS Compliant
Packing Type is 10 Units

Part Number	Description	Type	Polish	Color	Explore
IFASMSTS	ST-UPC SM	Simplex	UPC	Red RAL 3020	

Dimensions





SC-UPC Simplex

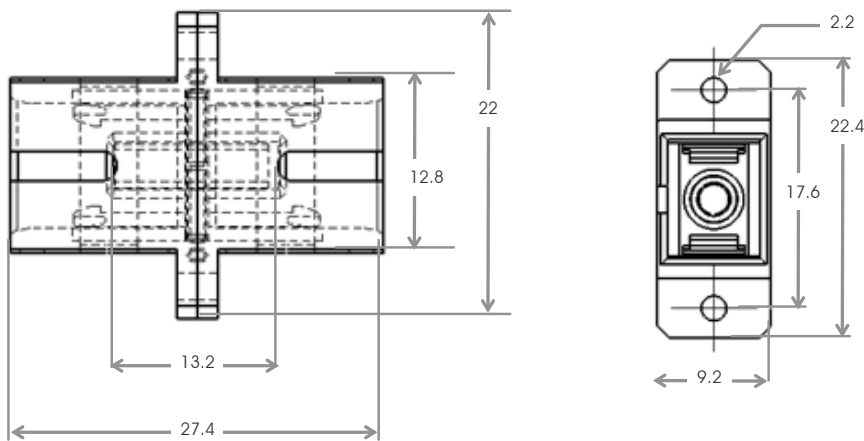
Features



SC UPC Flanged Simplex Multimode
Insertion Loss < 0.2dB
1000 Mating Cycles
Ceramic Sleeve, PBT Housing, UL94-V0
RoHS Compliant
Packing Type is 10 Units

Part Number	Description	Type	Polish	Color	Explore
IFAMMSCS	SC-UPC SM	Simplex	UPC	Gray RAL 7032	

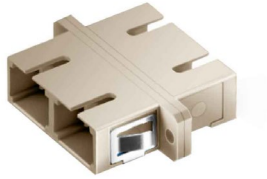
Dimensions





SC-UPC Duplex

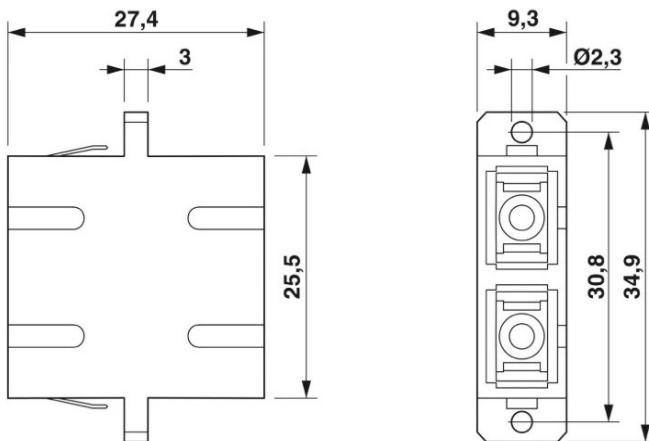
Features



SC UPC Flanged Duplex Multimode
Insertion Loss < 0,2dB
1000 Mating Cycles
Ceramic Sleeve, PBT Housing, UL94-V0
RoHS Compliant
Packing Type is 10 Units

Part Number	Description	Type	Polish	Color	Explore
IFAMMSCD	SC-UPC MM	Duplex	UPC	Gray RAL 7032	

Dimensions





LC-UPC Duplex

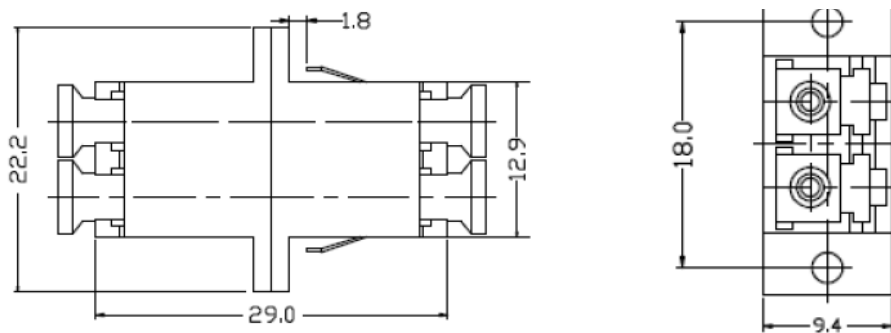


Features

LC UPC Flanged Duplex Multimode
Insertion Loss < 0.2dB
1000 Mating Cycles
Ceramic Sleeve, PBT Housing, UL94-V0
RoHS Compliant
Packing Type is 10 Units

Part Number	Description	Type	Polish	Color	Explore
IFAMMLCD	LC-UPC MM	Duplex	UPC	Gray RAL 7032	

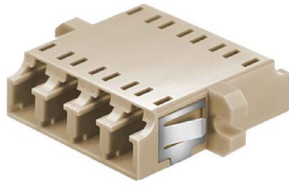
Dimensions





LC-UPC Quad

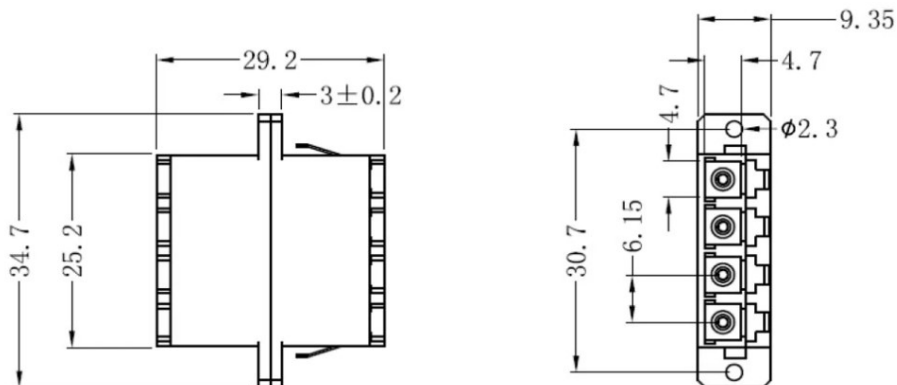
Features



LC UPC Flanged Quad Multimode
 Insertion Loss < 0.2dB
 1000 Mating Cycles
 Ceramic Sleeve, PBT Housing, UL94-V0
 RoHS Compliant
 Packing Type is 10 Units

Part Number	Description	Type	Polish	Color	Explore
IFAMMLCQ	LC-UPC MM	Quad	UPC	Gray RAL 7032	

Dimensions





FC-UPC Simplex

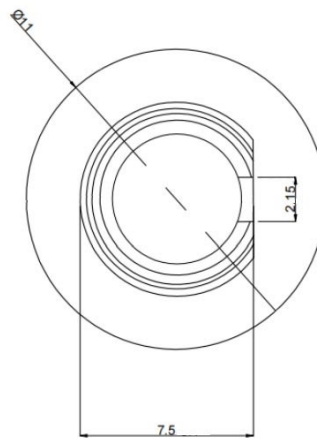
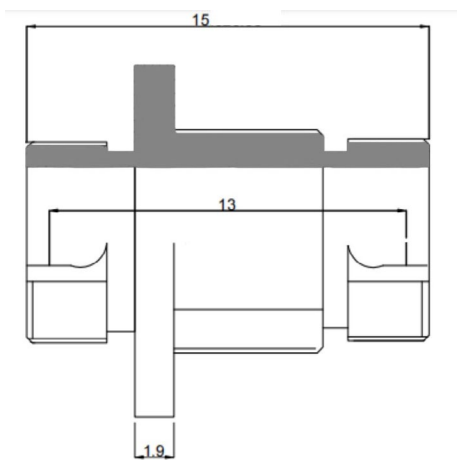


Features

FC UPC Simplex Multimode
Insertion Loss < 0.2dB
1000 Mating Cycles
Ceramic Sleeve, PBT Housing, UL94-V0
RoHS Compliant
Packing Type is 10 Units

Part Number	Description	Type	Polish	Color	Explore
IFAMMFCS	FC-UPC MM	Simplex	UPC	Red RAL 3020	

Dimensions





ST-UPC Simplex

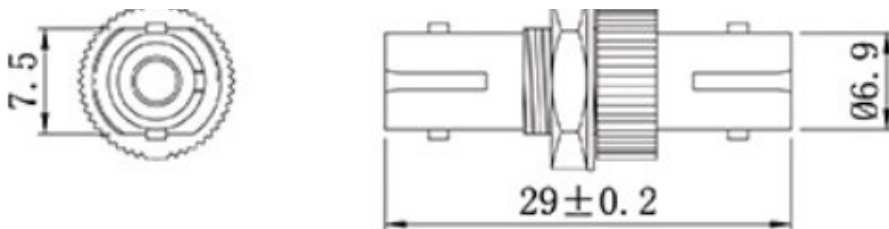


Features

ST UPC Simplex Multimode
Insertion Loss < 0.2dB
1000 Mating Cycles
Ceramic Sleeve, PBT Housing, UL94-V0
RoHS Compliant
Packing Type is 10 Units

Part Number	Description	Type	Polish	Color	Explore
IFAMMSTS	ST-UPC MM	Simplex	UPC	Yellow RAL 1023	

Dimensions





FIBER PATCH PANEL



144 Port SC Simplex

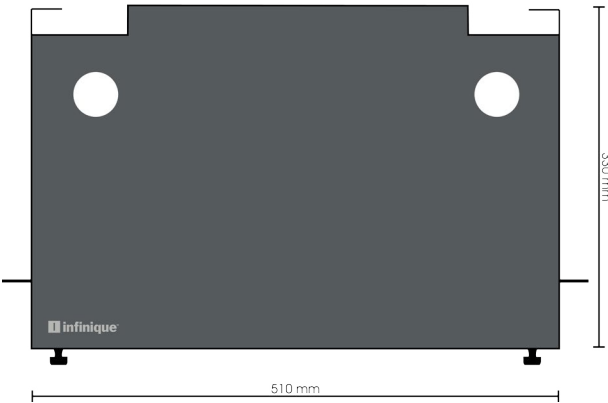
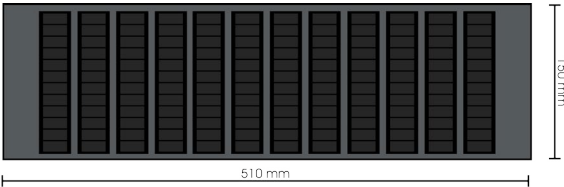


Features

144 Ports Unloaded Patch Panel
Suitable for SC Simplex or LC Duplex
Powder Coated Rolled Steel
Fixing Kit Included
RoHS Compliant

Part Number	Description	Ports	Cores	Color	Explore
IFRMPP144SCS	Patch Panel 144 Port	144	288	Black RAL 9005	

Dimensions





24 Port SC Simplex

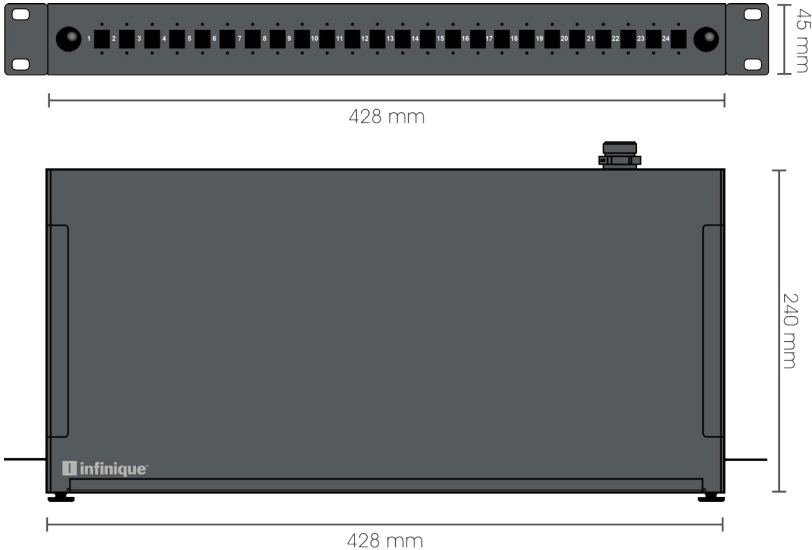


Features

- 24 Ports Unloaded Patch Panel
- Suitable for SC Simplex or LC Duplex
- Powder Coated Rolled Steel
- Fixing Kit Included
- RoHS Compliant

Part Number	Description	Ports	Cores	Color	Explore
IFRMPP24SCS	Patch Panel 24 Port	24	48	Black RAL 9005	

Dimensions





48 Port SC Duplex

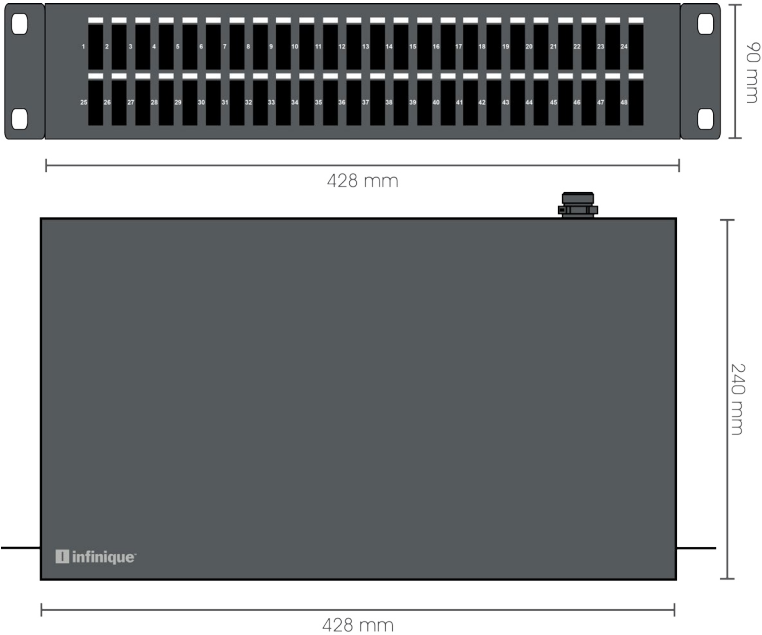


Features

- 48 Ports Unloaded Patch Panel
- Suitable for SC Duplex or LC Quad
- Powder Coated Rolled Steel
- Fixing Kit Included
- RoHS Compliant

Part Number	Description	Ports	Cores	Color	Explore
IFRMPP48SCD	Patch Panel 48 Port	48	192	Black RAL 9005	

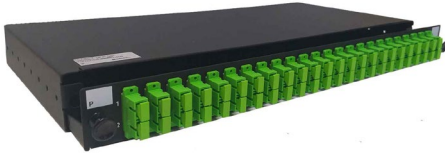
Dimensions





24 Port SC Duplex

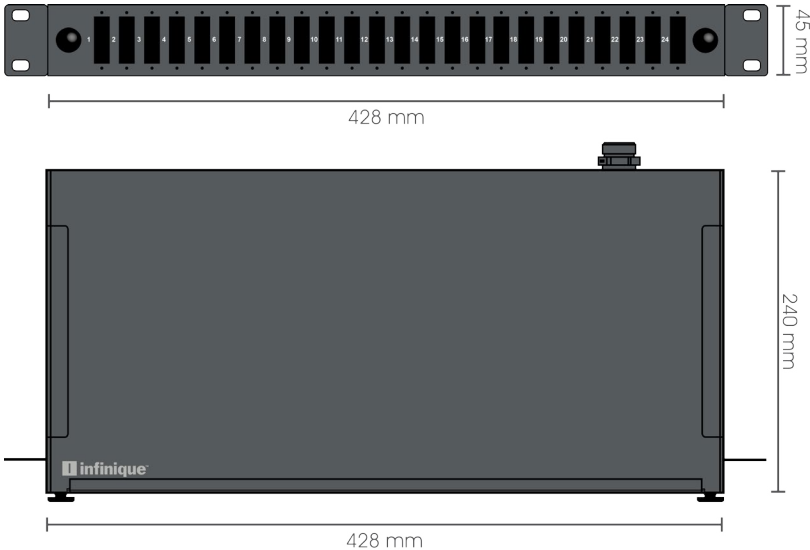
Features



24 Ports Unloaded Patch Panel
Suitable for SC Duplex or LC Quad
Powder Coated Rolled Steel
Fixing Kit Included
RoHS Compliant

Part Number	Description	Ports	Cores	Color	Explore
IFRMPP24SCD	Patch Panel 24 Port	24	96	Black RAL 9005	

Dimensions





24 Port ST Simplex

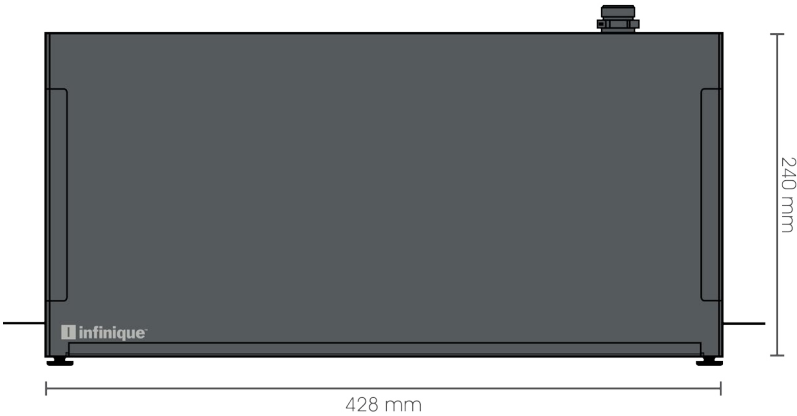
Features



24 Ports Unloaded Patch Panel
Suitable for ST, FC Simplex
Powder Coated Rolled Steel
Fixing Kit Included
RoHS Compliant

Part Number	Description	Ports	Cores	Color	Explore
IFRMPP24STS	Patch Panel 24 Port	24	24	Black RAL 9005	

Dimensions





Surface Mount

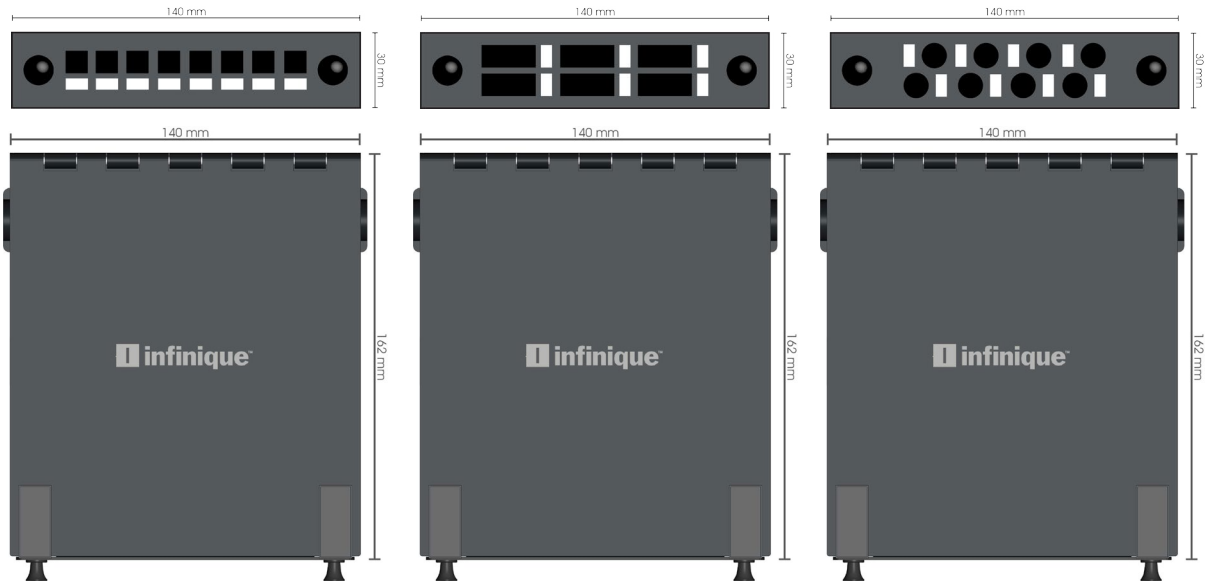


Features

- Slim Panel
- Surface Mount
- Powder Coated Rolled Steel
- Fixing Kit Included
- RoHS Compliant

Part Number	Description	Ports	Cores	Color	Explore
IFSMPP8SCS	Patch Panel 8 Port	8	16	Black RAL 9005	
IFSMPP6SCD	Patch Panel 6 Port	6	12	Black RAL 9005	
IFSMPP8STS	Patch Panel 8 Port	8	8	Black RAL 9005	

Dimensions





OPTICAL DISTRIBUTION FRAME



Micro ODF

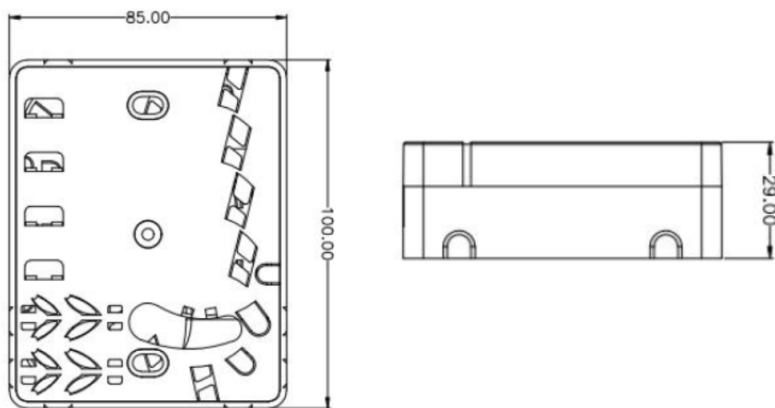


Features

- Compatible with SC Simplex, LC Duplex
- Compact Wall Mount
- Available in 2-4 ports
- ROHS Compliant
- Fixing Kit Included

Part Number	Description	Ports	Cores	Color	Explore
IFWMDBP2	Micro ODF 2 Port	2	4	White RAL 9016	
IFWMDBP4	Micro ODF 4 Port	4	8	White RAL 9016	

Dimensions





Surface Mount Mini ODF

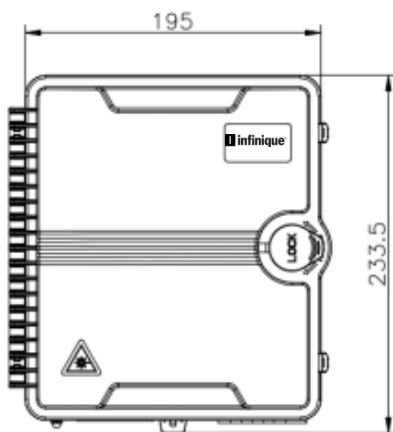


Features

- Compatible with SC Simplex, LC Duplex
- Surface Mount
- Available in 12-24 Ports
- ROHS Compliant
- Fixing Kit Included

Part Number	Description	Ports	Cores	Color	Explore
IFWMDBP12	Mini ODF 12 Port	12	24	White RAL 9016	
IFWMDBP24	Mini ODF 24 Port	24	48	White RAL 9016	

Dimensions





Surface Mount Mini ODF

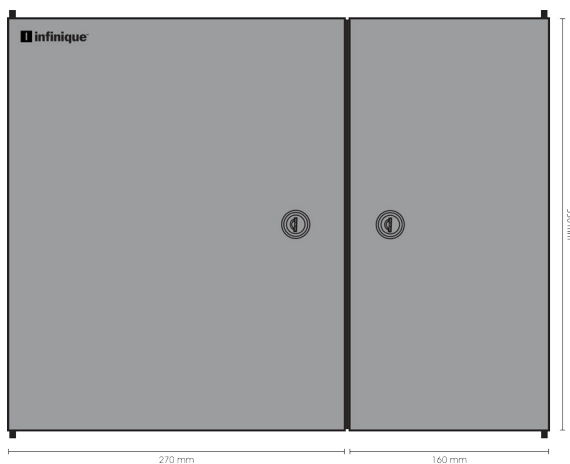


Features

Compatible with SC Simplex, LC Duplex
 Surface Mount, Lockable Double Door
 Available in 24-96 Ports
 Powder Coated Rolled Steel
 Fixing Kit Included

Part Number	Description	Ports	Cores	Color	Explore
IFWMCBP24	ODF 24 Port	24	48	Gray	
IFWMCBP48	ODF 48 Port	48	96	Gray	
IFWMCBP96	ODF 96 Port	96	192	Gray	

Dimensions





Direct Splice Cabinet



Features

- Lockable Single Door
- 240 Core Termination
- Surface Mount
- Powder Coated Rolled Steel
- Fixing Kit Included

Part Number	Description	Cores	Color	Explore
IFWMCBS240	Direct Splice ODF 240 Core	240	Black RAL 9005	

Dimensions





SPLICE ENCLOSURE



Inline Clamp Type

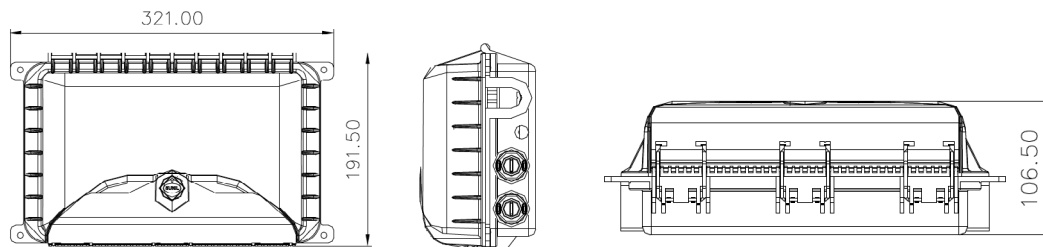


Features

Available upto 192 core terminations
 6 Ports for cables of various diameters
 Aerial and direct burial applications
 High quality elastic silicon gasket seal
 IP68 rated rugged housing

Part Number	Description	Ports	Cores	Color	Explore
IFHCSC-48-6	Inline Clamp Closure 48C	6	48	Black RAL 9005	
IFHCSC-72-6	Inline Clamp Closure 72C	6	72	Black RAL 9005	
IFHCSC-96-6	Inline Clamp Closure 96C	6	96	Black RAL 9005	
IFHCSC-144-6	Inline Clamp Closure 144C	6	144	Black RAL 9005	
IFHCSC-192-6	Inline Clamp Closure 192C	6	192	Black RAL 9005	

Dimensions





Inline Horizontal Type

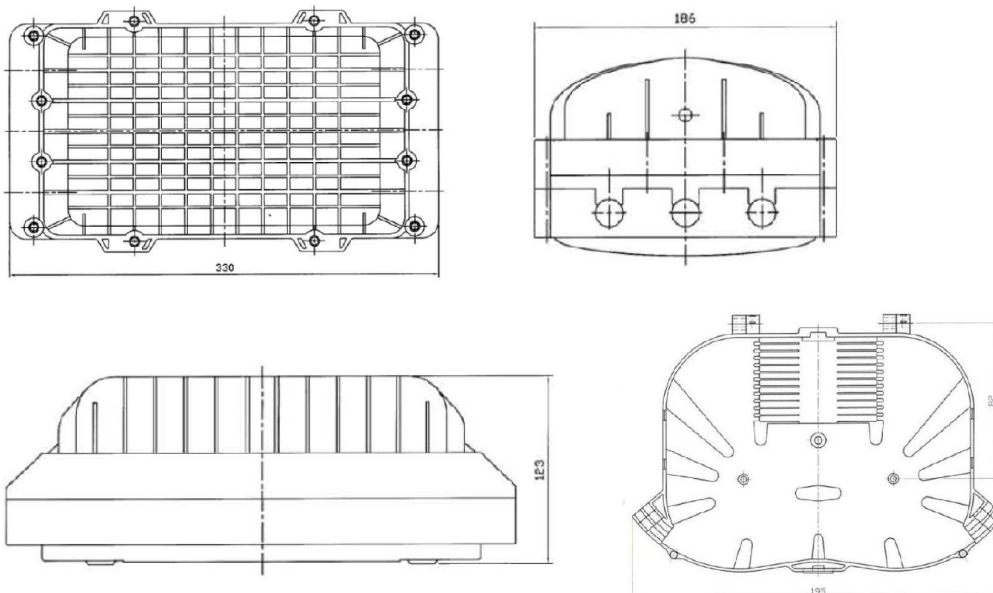


Features

Available upto 144 core terminations
 6 Ports for cables of various diameters
 Aerial and direct burial applications
 High quality elastic silicon gasket seal
 IP68 rated rugged housing

Part Number	Description	Ports	Cores	Color	Explore
IFHBSC-24-6	Inline Closure 24C	6	24	Black RAL 9005	
IFHBSC-48-6	Inline Closure 48C	6	48	Black RAL 9005	
IFHBSC-72-6	Inline Closure 72C	6	72	Black RAL 9005	
IFHBSC-96-6	Inline Closure 96C	6	96	Black RAL 9005	
IFHBSC-144-6	Inline Closure 144C	6	144	Black RAL 9005	

Dimensions





Dome Type

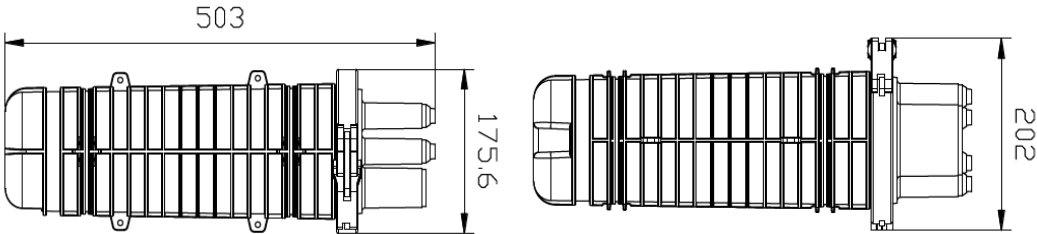


Features

- Available upto 144 core terminations
- 5 Ports for cables of various diameters
- Aerial and direct burial applications
- High quality elastic silicon gasket seal
- IP68 rated rugged housing

Part Number	Description	Ports	Cores	Color	Explore
IFDSC-24-5	Dome Closure 24C	5	24	Black RAL 9005	
IFDSC-48-5	Dome Closure 48C	5	48	Black RAL 9005	
IFDSC-72-5	Dome Closure 72C	5	72	Black RAL 9005	
IFDSC-96-5	Dome Closure 96C	5	96	Black RAL 9005	
IFDSC-144-5	Dome Closure 144C	5	144	Black RAL 9005	
IFDSC-BWM	Closure Bracket	-	-	Black RAL 9005	

Dimensions





PLC OPTICAL SPLITTER



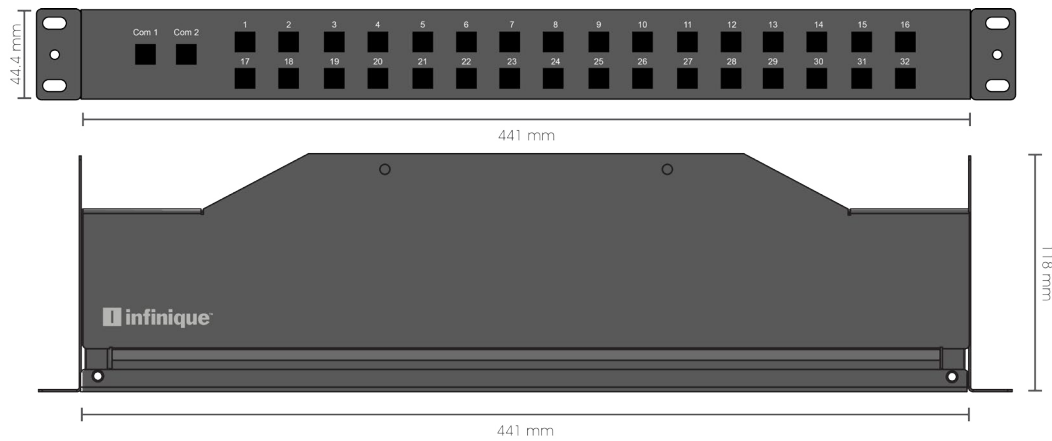
Features



PLC Splitter
 SC-APC Connectors
 Low Insertion Loss, Low PDL
 Certified as per Telcordia GR-1221 and GR-1209
 Rack Mount 1U

Part Number	Description	Color	Explore
IFPLC-SM-232-ASCR	2x32 SC APC PLC Splitter	Black RAL 9005	
IFPLC-SM-216-ASCR	2x16 SC APC PLC Splitter	Black RAL 9005	
IFPLC-SM-208-ASCR	2x8 SC APC PLC Splitter	Black RAL 9005	
IFPLC-SM-132-ASCR	1x32 SC APC PLC Splitter	Black RAL 9005	
IFPLC-SM-116-ASCR	1x16 SC APC PLC Splitter	Black RAL 9005	
IFPLC-SM-108-ASCR	1x8 SC APC PLC Splitter	Black RAL 9005	

PLC Splitter Construction





LC APC

PLC Optical Splitter

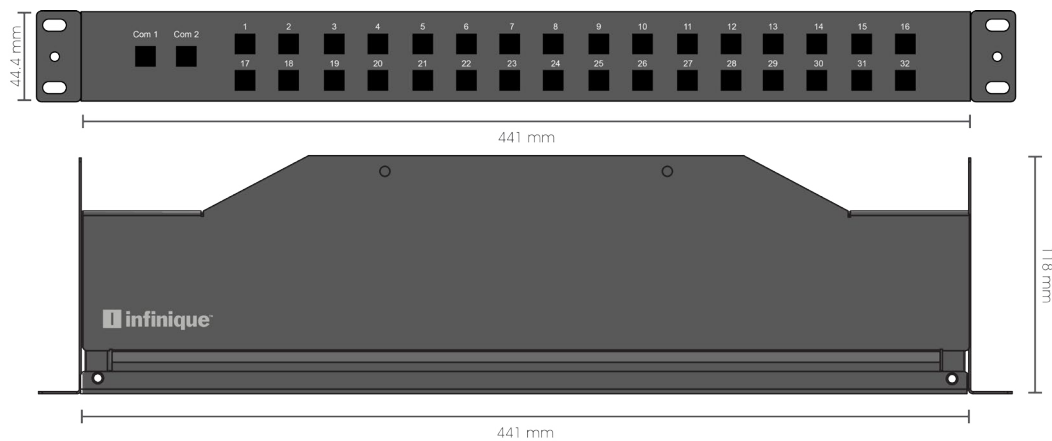


Features

- PLC Splitter
- LC-APC Connectors
- Low Insertion Loss, Low PDL
- Certified as per Telcordia GR-1221 and GR-1209
- Rack Mount 1U

Part Number	Description	Color	Explore
IFPLC-SM-232-ALCR	2x32 LC APC PLC Splitter	Black RAL 9005	
IFPLC-SM-216-ALCR	2x16 LC APC PLC Splitter	Black RAL 9005	
IFPLC-SM-208-ALCR	2x8 LC APC PLC Splitter	Black RAL 9005	
IFPLC-SM-202-ALCR	2x2 LC APC PLC Splitter	Black RAL 9005	
IFPLC-SM-132-ALCR	1x32 LC APC PLC Splitter	Black RAL 9005	
IFPLC-SM-116-ALCR	1x16 LC APC PLC Splitter	Black RAL 9005	
IFPLC-SM-108-ALCR	1x8 LC APC PLC Splitter	Black RAL 9005	
IFPLC-SM-102-ALCR	1x2 LC APC PLC Splitter	Black RAL 9005	

PLC Splitter Construction





ACCESSORIES



Splice Protection Sleeve

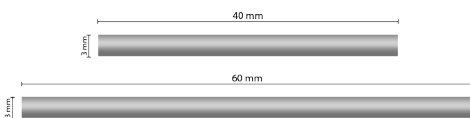


Features

- 40 x 3 mm
- Fusion Splice
- Steel Strength Member
- Heat Shrinkable Tubing
- ROHS Compliant

Part Number	Description	Size	Color	Explore
IFSPS40	Sleeve 40 mm	40 x 3mm	Transparent	
IFSPS60	Sleeve 60 mm	60 x 3mm	Transparent	

Dimensions





Stackable Splice Tray

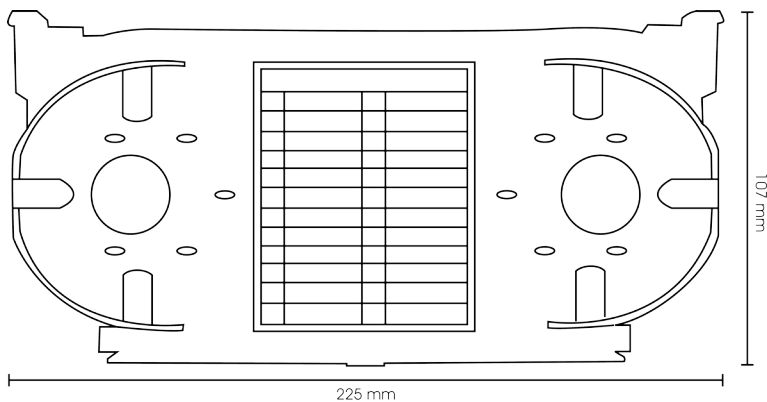


Features

Compact Splice Holder
Fiber Splice Tray
Holds up to 12 or 24 Cores

Part Number	Description	Dimension	Color	Explore
IFST12	Splice Tray 12C	150 x 100 x 17 mm	White RAL 9016	
IFST24	Splice Tray 24C	225 x 107 x 20 mm	White RAL 9016	
IFST24-Slim	Slim Splice Tray 24C	245 x 117 x 0.6 mm	White RAL 9016	

Dimensions





Patch Panel Blanking Plug

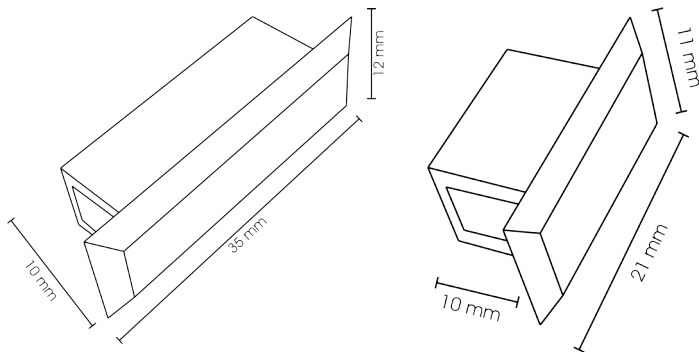


Features

SC Duplex, SC Simplex Footprint
Dust Protection
ROHS Compliant

Part Number	Description	Color	Explore
IFBLKSCS	Plug SC Simplex	Black RAL 9005	
IFBLKSCD	Plug SC Duplex	Black RAL 9005	

Dimensions





Infinique Worldwide Inc.

Ontario, Canada
Tel: +1-905-766-3705
Toll Free: +1-844-332-2288
Email: sales@infinique.com

Infinique Middle East FZCO

Dubai, United Arab Emirates
Tel: +971-4-3926-330
Email: sales.me@infinique.com

© 2025 Infinique Worldwide Inc. Infinique, Fortes and nClient are registered trademarks or trademark applications of Infinique Worldwide Inc. Canada. All other company names and products are trademarks or registered trademarks of their respective companies.

This document is protected by copyright and distributed under licenses restricting its use, copying, distribution and recompilation. No part of this document may be reproduced in any form by any means without prior written authorization of Infinique and its licensors. Information contained in this document is valid and correct at the time of its publication.

Product specification, design and availability subject to change without prior notice

www.infinique.com