

SC-APC Singlemode Bend Insensitive Patch Cord

Patch Cord SC-APC, 900µm LSOH Tight Buffer

Infinique's SC-APC Singlemode Patch Cord are pre-polished in the factory and have been designed for high quality termination. Fitted on both sides with Angled Polished Connectors, the connector housing and shutters fully protect the ferrule against dust, dirt and scratching. Each patch cord passes the stringent 400x visual inspection and are tested for insertion and return loss before being individually packed with the test report.

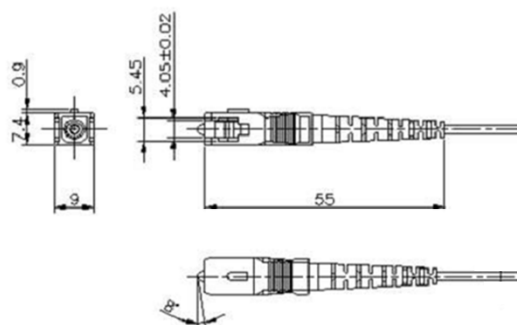
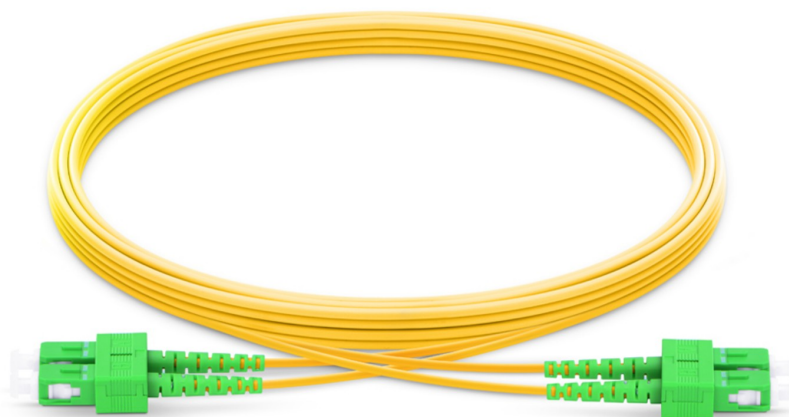
Bend-insensitive, G.657A1 LSOH Singlemode TB Fiber is used in the manufacture of patch cords that assures low bending loss and protection against accidental tight bends down to 7.5 mm radius.

To confirm high performance and reliability, these patch cords are tested and certified as per Telcordia standards GR-326, Generic Requirements for Single-Mode Optical Connectors and Jumper Assemblies.

Features and Benefits

- **Certification**
IEC, EIA/TIA, Telcordia GR-326 Standards
- **Reliable Performance**
Connectors are factory polished, low insertion loss, factory tested with a detailed test report
- **Quality Design**
Bend-insensitive, G.657A1, Gel Free, LSZH Fiber Cable
- **Easy Identification**
Color coded connectors and cable as per Telcordia standards, unique serial number for traceability
- **Speedy Installation**
Pre-assembled patch cords offers plug-n-play solution and speedy installation

SC-APC SINGLEMODE PATCH CORD CONSTRUCTION



SC-APC Singlemode Bend Insensitive Patch Cord

Patch Cord SC-APC, 900µm LSOH Tight Buffer

CONNECTOR SPECIFICATIONS	
Connector Type A	SC-APC
Connector Type B	SC-APC
Ferrule Material	Ceramic
Connector Polish	APC
Housing Material	Composite
Housing Color	Green
Boot Type	Simplex
Boot Color	Green
Durability	≤ 0.2 dB 1000 mating cycles
Tensile Strength	44 N
End Face Radius of Curvature	5 to 12 µm
End Face Fiber Spherical Height	±0.05 µm
Insertion Loss, Typical	≤ 0.2 dB
Insertion Loss, Max	< 0.3 dB
Return Loss, Typical	≥ 65dB
Return Loss, Max	≥ 85dB
Reflectance, Typical	≤ -65 dB

CABLE SPECIFICATIONS	
Fiber Type	ITU G.657A1 Singlemode Fiber OS2
Fiber Count	Simplex - 1 Fiber, Duplex - 2 Fibers
Fiber Core Diameter	9 µm
Wavelengths	1310 nm / 1550 nm
Linear Attenuation	0.38 dB/km / 0.25 dB/km
Minimum Bend Radius	30 mm
Crush Resistance	1000 N/10 cm
Tensile Strength	200 N
Outer Jacket Diameter	2.8 mm, Length 1, 2, 3 meter or Custom Length
Outer Jacket Material	LSZH
Outer Jacket Color	Yellow

TEMPERATURE RANGE	
Installation and Assembly	-20 °C to +60 °C
Operating Temperature	-40 °C to +75 °C
Storage Temperature	-55 °C to +85 °C

STANDARDS

GR-326, Generic Requirements for Single-Mode Optical Connectors and Jumper Assemblies
 Optical Interface Standards IEC 61754, ISO/IEC 24764
 IEC 61034 and EN 50268 LSOH Low Smoke Zero Halogen
 IEC 60874 Compliant

TEST REPORT FORMAT

Test Report Print: Packed with each individual product includes: Part Number, Description, Wavelength, Insertion Loss and Return Loss
 Visual Inspection: Quality control visual inspection of the component is conducted to determine if the product passed the quality test.
 Component Packing: Quality control visual inspection of the packing is conducted to determine if the component is packed correctly with product label and test report.

PACKING

The SC-APC Singlemode Patch Cords are packaged individually along with the printed test report.

ORDERING INFORMATION		
Part Number	Description	Connector
IFAPCSMSCSCS1	Infinique Fiber Patch Cord SC-SC APC Singlemode Simplex 1M	Singlemode SC-APC
IFAPCSMSCSCS2	Infinique Fiber Patch Cord SC-SC APC Singlemode Simplex 2M	Singlemode SC-APC
IFAPCSMSCSCS3	Infinique Fiber Patch Cord SC-SC APC Singlemode Simplex 3M	Singlemode SC-APC
IFAPCSMSCSCS5	Infinique Fiber Patch Cord SC-SC APC Singlemode Simplex 5M	Singlemode SC-APC
IFAPCSMSCSCD1	Infinique Fiber Patch Cord SC-SC APC Singlemode Duplex 1M	Singlemode SC-APC
IFAPCSMSCSCD2	Infinique Fiber Patch Cord SC-SC APC Singlemode Duplex 2M	Singlemode SC-APC
IFAPCSMSCSCD3	Infinique Fiber Patch Cord SC-SC APC Singlemode Duplex 3M	Singlemode SC-APC
IFAPCSMSCSCD5	Infinique Fiber Patch Cord SC-SC APC Singlemode Duplex 5M	Singlemode SC-APC