

# INB713Z-RWTS

## 2.1 Megapixel Integrator Series IP IR WDR Bullet Camera

Infinique offers a wide range of IP based high definition cameras from 1.4MP to 6MP available in various housing formats, including Box, Dome and Bullet. Our cameras are equipped with superior image sensor and digital signal processor to produce sharp, crisp pictures and are enclosed in weather and vandal resistant housings making it suitable for use in all security applications. The ONVIF compliance of the cameras helps in easy integration, providing peace of mind for your investment. From small to very large installations, Infinique’s cameras are reliable, future proof and an ideal solution for your video surveillance needs.

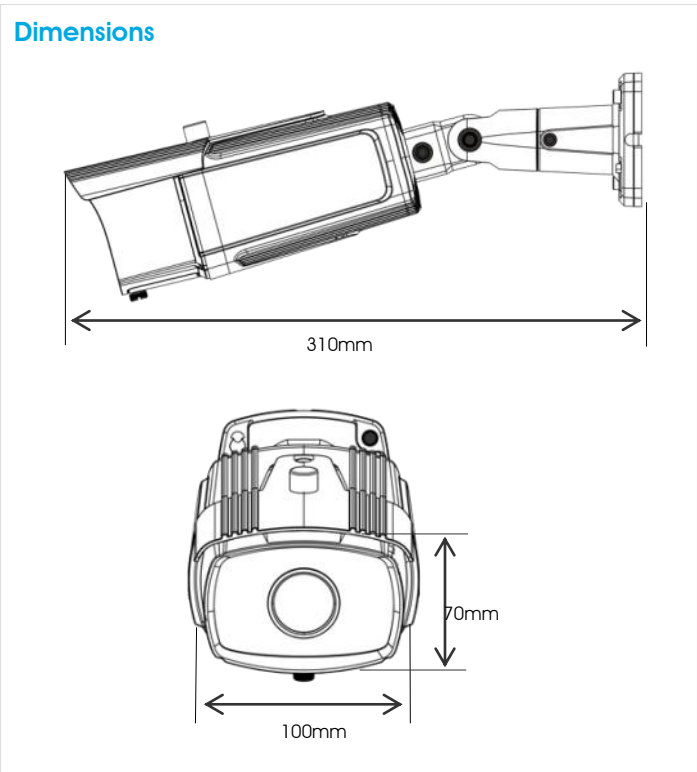
INB713Z-RWTS is a 2.1 Megapixel IP IR bullet camera with 140dB true WDR, it is built with a vandal resistant aluminum housing, incorporating a 1/3” high quality image sensor and IR Array LEDs to provide clear crisp images both during the day and night.

The camera comes equipped with a 2.8~12mm motorized lens with remote zoom and focus for easy setup of field of view. Auto Iris control allows the camera to automatically set its iris position to maximize image quality in all lighting conditions. The camera streams real-time video at high definition resolution using H.264 compression optimizing the bandwidth and increasing storage efficiency.

Built-in PoE for powering the camera and the concealed cable bracket for fixing it on ceiling or wall, provides the convenience for installers to complete the installation quickly and with ease. These excellent IP cameras are highly suitable for video surveillance of government buildings, residential apartments, schools, colleges, universities, shopping malls, hospitals, hotels, industrial parks, and corporate offices.

### Product Features

- 1/3” CMOS Sensor
- 2.1 Megapixel Resolution
- Up to 30fps at 1920 x 1080
- 2 pcs IR Array LED, IR Distance 60 meters
- 2.8~12mm Motorized Zoom Lens with DC Auto Iris
- 140dB true WDR
- H.265, H.264 and MJPEG Compression
- Up to 2 Simultaneous Video Streams
- Composite Video Output
- Micro SD Card Slot for Onboard Storage
- Audio I/O, Alarm I/O
- Power Over Ethernet (PoE), IEEE 802.3af
- Vandal Proof Aluminum Alloy Housing
- IP66 Ratings
- Wall or Ceiling mount with Concealed Cable Bracket
- ONVIF 2.2.0 Compliant



# INB713Z-RWTS

## 2.1 Megapixel Integrator Series IP IR WDR Bullet Camera



IMAGE PERFORMANCE		NETWORK	
Image Sensor	1/3" CMOS	Network Port	10/100M BASE-TX, RJ-45 Connector
Effective Pixels	1920 (H) × 1080 (V)	Cabling Type	Category 6 and higher
Resolution	2.1 Megapixels	Network Protocol	IPv4, HTTP, HTTPS, TCP/IP, UDP, RTP, RTSP, RTCP, DNS, DDNS, DHCP, FTP, NTP, PPPOE, SMTP, UPNP, IEEE802.1X
Minimum Illumination	0 lux (F1.2) in Color, 0.01 lux (F1.2) in B/W	ONVIF Protocol	ONVIF Compliant Profile-S 2.2.0
Image Rate	25fps / 30fps, adjustable for all resolutions	Security	Multiple User Access with password protection
S/N Ratio	More than 50dB	Users	1 Administrator, 2 Guests
LENS		PC Web Browser	IE 6.0 Above; Mozilla Firefox; Google Chrome
Focal Length	2.8~12mm Motorized Zoom Lens	Mobile Device	Windows Mobile, Symbian, iPhone, Android
Iris	DC Auto Iris, Manual	Events	Motion, Sensor, Network Failure
Aperture Ratio	F1.2	Event Handlers	FTP, E-mail, Alarm Out
Angle of View	H:108.6°(Wide)~22.4°(Tele), V:81.4°(Wide)~15.8°(Tele)	MECHANICAL	
VIDEO AND AUDIO		Housing ID	V3BOMWH661004A1
Video Compression	H.265 Main Profile H.264 Baseline Profile/Main Profile/High Profile MJPEG Baseline	Dimensions	310(L) x 100 (W) x 70 (H) mm
Main Stream	1920 x 1080, 1280 x 720	Weight	965g
Sub Stream	1920 x 1080, 1280 x 720, 704 x 576, 640 x 480, 320 x 240	Housing	Vandal Resistant Aluminum Alloy Housing
Electronic Shutter Control	1/25 ~ 1/8000	Finish	White Powder Coat
Day/Night Control	Automatic / Manual	Installation	Ceiling Mount / Wall Mount, Concealed Cable Bracket
Flicker Control	50 Hz, 60 Hz	ELECTRICAL	
True WDR	140dB ,Off, Low, Normal, High	Power Consumption	600mA, 12V DC, 7.2W
White Balance	Automatic / Manual	Power Source	PoE IEEE802.3af; DC12V ±10%; AC 24±10%
Backlight Compensation	N/A	Power Connector	2 pin terminal block
Privacy Mask Zones	Up to 4 Privacy Mask Zones	RTC Backup Battery	3V Magnesium Lithium
Audio Compression	G.711A/G.711U/G.726	ENVIRONMENTAL	
Audio Input / Output	Line level input and output, 3.5mm AV Interface	Operating Temperature	-10 °C to +50 °C
Video Output	2 pin terminal block	Storage Temperature	-20 °C to +60 °C
RS-485	1 RS485 Interface	Operating Humidity	0% - 85% non condensing
Alarm I/O	1CH alarm Input, 1CH alarm output	Ingress Protection Rating	IP66
Video Bit rate	32Kbps~8Mbps, Supports CBR/VBR	STANDARDS COMPLIANCE	
OSD	Camera ID, Timestamp, Bit rate	Emissions	FCC Part 15 Subpart B Class B EN 55022:2010 IC ICES-003 Class B
Image Orientation	Image Flip, Mirror, LSC, CTB	Immunity	EN 55024:2010
Image Controls	Brightness, Contrast, Hue, Saturation, Acu, Gamma	Safety	UL 609501, EU: 2001/95/EC GPSD
Advanced Functions	Image Rotation, Gain Control, Anti-Fog, Anti-False Color, Anti-Shake		
IR	2 PCs IR Array LED, IR Distance 60 meters		
VIDEO ANALYTICS			
Motion Detection	Up to 4 Zones		
Advance Video Analytics	Tamper Detection, Out Of Focus Detection		
LOCAL STORAGE			
Storage Type	Micro SD card, Max up to 32GB		
Recording	Video and Image; Auto / Schedule/ Manual / On Event		

ORDERING INFORMATION	
PART NUMBER	DESCRIPTION
INB713Z-RWTS	Infinique Integrator Series Outdoor Bullet IP Camera, 1/3 CMOS Sensor, 2MP, 30fps @ 1920X1080, 2.8-12mm Motorized Zoom Lens, Dual Stream Supported, 140dB WDR, True Day and Night with ICR, 2Pcs IR Array LED's upto 60m IR Range, Adjustable Bit Rate, ONVIF Compliant, Composite Video Out, PoE, IP66

**infinique**™ Infinique, a Canadian company is a manufacturer of high performance end-to-end solutions in copper, fiber and video surveillance systems. For more information visit our website at [www.infinique.com](http://www.infinique.com) or email us at [sales@infinique.com](mailto:sales@infinique.com).  
An ISO 9001:2008 Company

[www.infinique.com](http://www.infinique.com)

Product specification, design and availability subject to change without prior notice.