

IND713Z-RTN

2 Megapixel Premium Series IP IR Plastic Dome Camera

Infinique offers a wide range of IP based high definition cameras available in housing formats, including Dome, Bullet, Box and PTZ. Our cameras are equipped with superior image sensor and digital signal processor to produce sharp, crisp pictures and are enclosed in weather and vandal resistant housings making it suitable for use in all security applications. The ONVIF compliance of the cameras helps in easy integration, providing peace of mind for your investment. From small to very large installations, Infinique’s cameras are reliable, future proof and an ideal solution for your video surveillance needs.

The IND713Z-RTN is a 2 Megapixel IR Plastic Dome Camera with Motorized Zoom. Incorporating a 1/2.8” high quality image sensor and IR LEDs to provide clear crisp images both during day and night.

The camera comes equipped with a 2.8 - 12mm motorized zoom lens for easy setup of field of view. The auto iris control allows the camera to automatically set its iris position to maximize image quality in all lighting conditions. The camera streams real-time video at high definition resolution using H.264 or H.265 compression optimizing the bandwidth and increasing storage efficiency.

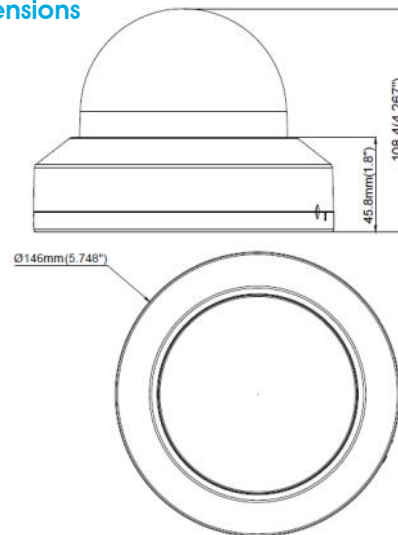
Built-in PoE for powering the camera and the flexible 3-axis bracket for fixing it on ceiling or wall, provides the convenience for installers to complete the installation quickly and with ease. These versatile cameras are suitable for video surveillance of government buildings, residential apartments, schools, colleges, universities, shopping malls, hospitals, hotels, industrial parks, and corporate offices.

Product Features

- 1/2.8” Progressive Sensor
- 2 Megapixel Resolution
- Up to 30fps at 1920 x 1080
- IR Distance up to 30 meters
- 2.8 - 12mm Motorized Zoom Lens with DC Auto Iris
- H.265 and H.264 Compressions
- Up to 3 Simultaneous Video Streams
- S/N Ratio of more than 50dB
- Micro SD Card Slot for Onboard Storage
- Composite Video Output
- Power Over Ethernet (PoE), IEEE 802.3af
- Vandal Proof Aluminum Alloy Housing
- Wall or Ceiling Mount with 3 Axis Bracket
- ONVIF Compliant



Dimensions



Accessories



Part No: IJBDWM-146
Wall Mount Junction Box



Part No: IBDLWM-2
Indoor Wall Mount L Bracket



Part No: IJBBCM-146
Ceiling Mount Junction Box



Part No: IBDCFM-2
Ceiling Flush Mount Bracket



Part No: IBKTCM
Pendant Ceiling Bracket



Part No: IBBCPM
Pole Mount Bracket



Part No: IBCRWM
Corner Mount Bracket

IND713Z-RTN

2 Megapixel Premium Series IP IR Plastic Dome Camera



| IMAGE PERFORMANCE | | LOCAL STORAGE | |
|----------------------------|---|---------------------------|---|
| Image Sensor | 1/2.8" Progressive Sensor | Storage Type | Micro SD Card, Max up to 256GB |
| Effective Pixels (H x V) | 1920 x 1080 | Recording | Video and Image; Auto / Schedule/ Manual / On Event |
| Resolution (Megapixels) | 2 | NETWORK | |
| Minimum Illumination | 0.002 lux (AGC ON) 0 lux with IR ON | Network Port | 10/100M BASE-TX, RJ-45 Connector |
| Image Rate (FPS) | 30 | Cabling Type | Category 6 and higher |
| S/N Ratio | More than 50dB | Network Protocol | IPv4, HTTP, HTTPS, TCP/IP, Unicast/Multicast, UDP, RTP, RTSP, RTCP, DNS, DDNS, DHCP, FTP, NTP, PPPOE, SMTP, SNMP, UPNP, IEEEE802.1X |
| IR Distance (m) | 30 | ONVIF Protocol | ONVIF Compliant |
| LENS | | Security | User Access with password protection, IP Filtering |
| Focal Length (mm) | 2.8 - 12 Motorized Zoom Lens | Users | 1 Administrator, 6 Users |
| Iris | DC Auto Iris | Simultaneous Viewing | Up to 5 users |
| Lens Mount | M14 | PC Web Browser | IE 6.0 Above; Mozilla Firefox; Google Chrome |
| Aperture Ratio | F1.2 | Mobile Device | iOS, Android |
| Angle of View (deg) | H:101°(Wide) - 33°(Tele), V:52°(Wide) - 18°(Tele) | Events | Motion, Tamper Detection, Sensor, Network Failure |
| VIDEO | | Event Handlers | FTP, E-mail, Local Storage |
| Video Compression | H.265 Main Profile H.264 Baseline Profile/Main Profile/High Profile | MECHANICAL | |
| Main Stream | 1920 x 1080, 1280 x 960, 1280 x 720 | Housing ID | V4DIPWH660730S1 |
| Sub Stream | 1280 x 720, 640 x 480, 320 x 240 | Dimensions (mm) | 146 (D) x 108 (H) |
| Mobile Stream | 640 x 480, 320 x 240 | Weight (g) | 510 |
| Electronic Shutter Control | 1/5 ~ 1/20,000 sec | Housing | ABS Plastic Housing |
| Day/Night Control | True Day/Night with IR Cut Filter | Finish | White, RAL 9003 |
| Flicker Control | 50 Hz, 60 Hz | Installation | Ceiling Mount / Wall Mount, 3-Axis Bracket |
| Digital WDR | Variable Coefficient | ELECTRICAL | |
| 3D Noise Reduction | Auto / Manual / Disable | Power Consumption | 440mA, 5.28W |
| White Balance | Automatic / Manual | Power Source | PoE IEEE802.3af, DC 12V |
| Back Light Compensation | On / Off | Power Connector | DC Male Plug |
| Privacy Mask Zones | Up to 4 Privacy Mask Zones | RTC Backup Battery | 3V Magnesium Lithium |
| Automatic Gain Control | Auto/Manual, Adjustable Level | ENVIRONMENTAL | |
| Video Output | 2 pin terminal block | Operating Temperature (C) | -20 to +60 |
| Video Bit rate | 256K-8M ,Supports CBR/VBR | Storage Temperature (C) | -20 to +60 |
| OSD | Camera ID, Timestamp | Operating Humidity | 0% - 95% non condensing |
| Image Orientation | Image Flip, Corridor Mode, Rotation | Ingress Protection Rating | IP66 |
| Image Controls | Brightness, Contrast, Hue, Saturation, Sharpness | Impact Rating | IK07 |
| Advanced Functions | Image Rotation, Gain Control, Anti-Fog, Anti-False Color, Anti-Shake, IR Detection | STANDARDS COMPLIANCE | |
| Motion Detection | Up to 4 Zones | Emissions | FCC Part 15 Subpart B Class B EN 55022:2010 IC ICES-003 Class B |
| VIDEO ANALYTICS | | Immunity | EN 55024:2010 |
| Motion Detection | Multiple Zones | Safety | UL 609501, EU: 2001/95/EC GPSD |
| Advance Video Analytics | Tamper, Out Of Focus, Sound, Perimeter Intrusion, Line Crossing, Stationary Object, Pedestrian Detection, | | |

| ORDERING INFORMATION | |
|----------------------|---|
| PART NUMBER | DESCRIPTION |
| IND713Z-RTN | Infinique Premium Series Indoor IR Plastic Dome Camera, 2MP, 2.8 - 12mm Motorized Zoom Lens, IR Array LED, 30m IR Range, H.265, H.264, MJPEG, Three Video Streams, Digital WDR, True Day and Night with ICR, Adjustable Bit Rate, SDHC Slot, ONVIF Compliant, PoE, IP66, IK07 |
| IJBDWM-146 | Infinique Wall Mount Junction Box, Base Diameter 146 mm |
| IBDLWM-2 | Infinique Indoor Wall Mount L Bracket |
| IJBBCM-146 | Infinique Ceiling Mount Junction Box, Base Diameter 146 mm |
| IBDCFM-2 | Infinique Ceiling Flush Mount Bracket, Hole Diameter 190 mm |
| IBKTCM | Infinique Pendant Mount Ceiling Bracket, 45 (D) x 294 (H) mm |
| IBBCPM | Infinique Pole Mount Bracket with Metal Ties, 125 (L) x 46 (W) x 200 (H) mm |
| IBCRWM | Infinique Corner Mount Bracket, 200 (L) x 130 (W) x 172.8 (D) mm |

IND713Z-RTN

2 Megapixel Premium Series IP IR Plastic Dome Camera



Housing Accessories

WALL MOUNT APPLICATION



Junction Box
IJDWM-146

CEILING MOUNT APPLICATION



Junction Box
IJBBCM-146

WALL MOUNT APPLICATION



L Bracket
IBDLWM-2

PENDANT MOUNT APPLICATION



Ceiling Bracket
IBKTCM

FLUSH MOUNT APPLICATION



Ceiling Bracket
IBDCF-2

POLE MOUNT APPLICATION



Pole Bracket
IBBCPM



Junction Box
IJDWM-146



Junction Box
IJBBCM-146

CORNER MOUNT APPLICATION



Corner Bracket
IBCRWM



L Bracket
IBDLWM-2



Infinique, a Canadian company is a manufacturer of high performing end-to-end solutions in copper, fiber and video surveillance systems. For more information visit our website at www.infinique.com or email us at sales@infinique.com.