

# INF901F-RTN

## 12 Megapixel 360 Degree Fisheye Camera with IR LED

Infinique offers a wide range of IP based high definition cameras available in various housing formats, including Box, Dome and Bullet. Our cameras are equipped with superior image sensor and digital signal processor to produce sharp, crisp pictures and are enclosed in weather and vandal resistant housings making it suitable for use in all security applications. The ONVIF compliance of the cameras helps in easy integration, providing peace of mind for your investment. From small to very large installations, Infinique’s cameras are reliable, future proof and an ideal solution for your video surveillance needs.

INF901F-RTN is a 12 Megapixel high resolution IP Fisheye camera with 360 Degree Angle View. It incorporates a 1/2.3” high quality image sensor for clear crisp images both during the Day and Night.

The camera comes equipped with a 1.6mm ultra wide-angle lens that produces a 360 degree view when mounted on the ceiling and 180 degree view when mounted on a wall. Auto Iris control allows the camera to automatically set its iris position to maximize image quality in all lighting conditions. The camera streams real-time video at very high definition resolution using H.265/H.264 compression which optimizes the bandwidth and increases the storage efficiency.

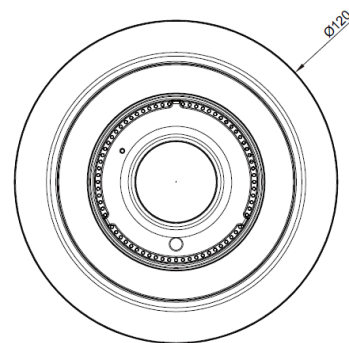
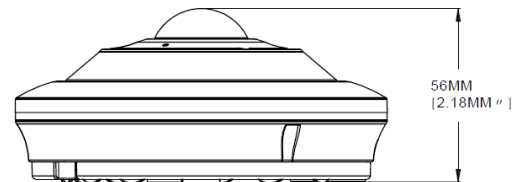
These cameras can provide wide area coverage and can be used to meet the video security requirements of retail stores, casinos, shopping malls, hotels, hospitals and schools.

### Product Features

- 1/2.3” Progressive Scan Image Sensor
- 12 Megapixel Resolution
- Up to 30fps at 1920 x 1080, 15fps at 4000 x 3000
- 1.6 mm Panamorph Lens
- 360° Wide Angle View (Ceiling Mount)
- S/N Ratio of more than 50dB
- H.265 / H.264 Compression
- Up to 3 Video Streams
- E-PTZ Support
- Supports Region of Interest (ROI)
- Power Over Ethernet (PoE), IEEE 802.3af
- Vandal Proof Aluminum Alloy Housing
- ONVIF Compliant



### Dimensions



### Accessories



Part No: IJBFCM-126  
Ceiling Junction Box



Part No: IJPFCM-126  
Ceiling Junction Plate

# INF901F-RTN

## 12 Megapixel 360 Degree Fisheye Camera with IR LED



IMAGE PERFORMANCE	
Image Sensor	1/2.3" Progressive CMOS Sensor
Effective Pixels (H x V)	4000 × 3000
Resolution (Megapixels)	12
Minimum Illumination	0.01 lux (AGC ON) 0 lux with IR ON
Image Rate (FPS)	15fps @4000 x 3000, 25fps @ 3000 x 3000, 25fps / 30fps, adjustable for all lower resolutions
S/N Ratio	More than 50dB
IR Distance (m)	10
LENS	
Focal Length (mm)	1.6 Lens
Iris	DC Auto Iris
Lens Mount	M12
Aperture Ratio	F2.0
Angle of View (deg)	360° (Ceiling Mount) 180° (Wall Mount)
VIDEO	
Video Compression	H.265 Main Profile H.264 Baseline Profile/Main Profile/High Profile
Main Stream	4000x3000, 3000x3000, 2560x2560, 2160x2160, 1520x1520, 1080x1080, 720x720
Sub Stream	1280x960P, 1080x1080, 720x720, 480x480
Mobile Stream	480x480
Electronic Shutter Control	1/5 ~ 1/20,000 sec
Day/Night Control	True Day/Night with IR Cut Filter
Flicker Control	50 Hz, 60 Hz
WDR Type	DWDR (Digital WDR)
3D Noise Reduction	Auto / Manual / Disable
White Balance	Automatic / Manual
Back Light Compensation	On / Off
Privacy Mask Zones	Up to 4 Privacy Mask Zones
Automatic Gain Control	Auto/Manual, Adjustable Level
Audio In/Out	Built-in MIC / Speaker
Video Bit rate	256Kbps~16Mbps, Supports CBR/VBR
OSD	Camera ID, Timestamp
Image Orientation	Image Flip, Corridor Mode, Rotation
Image Controls	Brightness, Contrast, Hue, Saturation, Sharpness
Advanced Functions	Image Rotation, Gain Control, Anti-Fog, Anti-False Color, Anti-Shake, IR Detection
Motion Detection	Up to 4 Zones
VIDEO ANALYTICS	
Motion Detection	Multiple Zones
Video Analytics	Tamper, Out Of Focus
LOCAL STORAGE	
Storage Type	Micro SD Card, Max up to 256GB
Recording	Video and Image; Auto / Schedule/ Manual / On Event

NETWORK	
Network Port	10/100M BASE-TX, RJ-45 Connector
Cabling Type	Category 6 and higher
Network Protocol	IPv4, HTTP, HTTPS, TCP/IP, Unicast/Multicast, UDP, RTP, RTSP, RTCP, DNS, DDNS, DHCP, FTP, NTP, PPPOE, SMTP, SNMP, UPNP, IEEE802.1X
ONVIF Protocol	ONVIF Compliant
Security	User Access with password protection, IP Filtering
Users	1 Administrator, 6 Users
Simultaneous Viewing	Up to 5 users
PC Web Browser	IE 6.0 Above; Mozilla Firefox; Google Chrome
Mobile Device	iOS, Android
Events	Motion, Tamper Detection, Sensor, Network Failure
Event Handlers	FTP, E-mail, Local Storage
MECHANICAL	
Housing ID	V4FIMWH660603S1
Dimensions (mm)	120 (D) x 55 (H)
Weight (g)	400
Housing	Aluminum Die Cast
Finish	White Powder Coat, RAL 9003
Installation	Ceiling Mount / Wall Mount
ELECTRICAL	
Power Consumption	440mA, 9.6W
Power Source	PoE IEEE802.3af, DC 12V
Power Connector	DC Male Plug
RTC Backup Battery	3V Magnesium Lithium
ENVIRONMENTAL	
Operating Temperature (C)	-30 to +55
Storage Temperature (C)	-30 to +60
Operating Humidity	0% - 95% non condensing
Ingress Protection Rating	IP66
Impact Rating	IK06
STANDARDS COMPLIANCE	
Emissions	FCC Part 15 Subpart B Class B EN 55022:2010 IC ICES-003 Class B
Immunity	EN 55024:2010
Safety	UL 609501, EU: 2001/95/EC GPSD

ORDERING INFORMATION	
PART NUMBER	DESCRIPTION
INF901F-RTN	Infinique Premium Series 12MP 360 Degree Fisheye Camera, 15fps @ 4000X3000, 25fps @ 3000X3000, 0.01 Lux, 1.6mm Panamorph Lens, H.265/H.264, True Day and Night with ICR, SDHC Slot, ONVIF Compliant, PoE, IP66
IJBFCM-126	Infinique Ceiling Mount Junction Box for Fisheye Camera, Base Diameter 126 mm
IJPFCM-126	Infinique Ceiling Mount Junction Box Plate for Fisheye Camera, Base Diameter 126 mm



Infinique, a Canadian company is a manufacturer of high performing end-to-end solutions in copper, fiber and video surveillance systems. For more information visit our website at [www.infinique.com](http://www.infinique.com) or email us at [sales@infinique.com](mailto:sales@infinique.com).