

# Category 6A Unshielded MTPL Field Termination Plug

ETL Verified Compact Design for Blade and IoT Devices

Infinique's Category 6A Unshielded MTPL Field Termination plug has a compact and robust profile to ensure a clean professional installation. Its universal design supports clear color coding system for correct TIA568A or TIA568B wiring with electrical performance guaranteed to meet or exceeds the channel specifications of ANSI/TIA-568-C.2 and ISO/IEC-11801 for Category 6A.

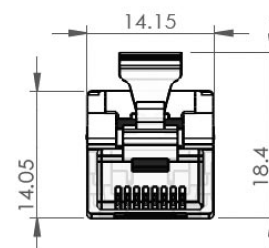
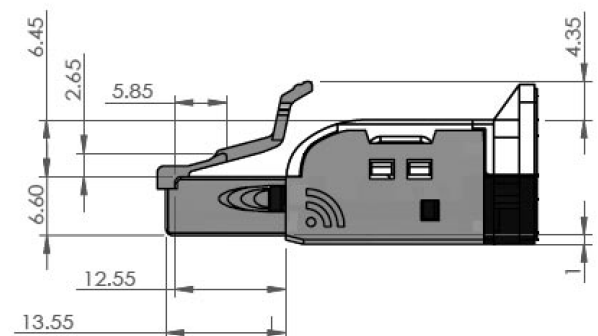
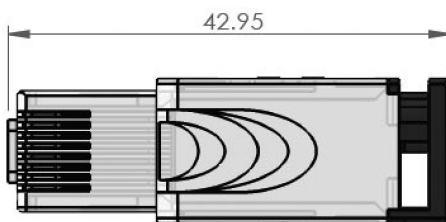
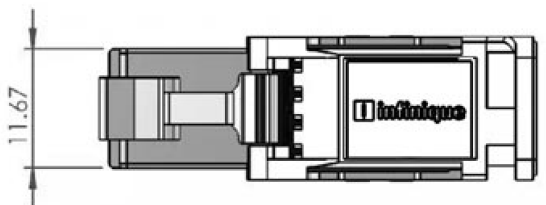
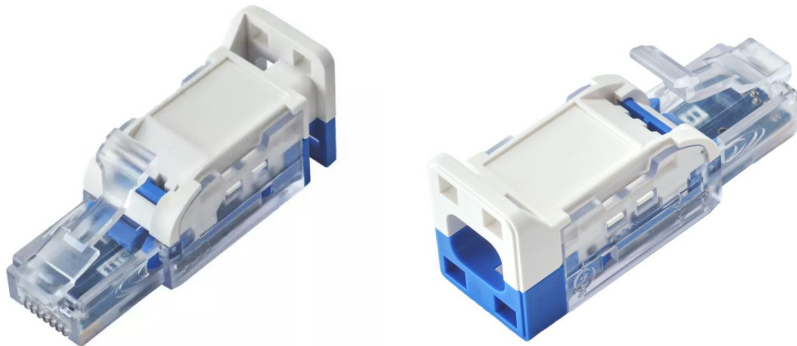
Perfect for fast field termination of 22 to 26 AWG 100 ohm unshielded cables and highly suitable for PoE and IoT applications. Its detachable plug latch works as a port-lock and lock the plug for uninterrupted connectivity.

The additional bend limiting strain relief cover provides cylindrical support to limit the bend radius at the point of termination.

## Features and Benefits

- Certification**  
 ETL Verified for performance as per ANSI/TIA-568-C.2 and ISO/IEC 11801 standards
- Reliable Performance**  
 Electrical performance guaranteed to meet or exceed the channel specifications of ANSI/TIA-568-C.2 and ISO/IEC 11801 for Category 6A
- Compact and Robust Design**  
 Compact and Slim Profile compatible with blade switches and IoT devices, Flame Retardant Plastic Compound, RoHS Compliant
- Performance Warranty**  
 Qualifies for the Infinique's 25 Years System Performance Link Warranty

## CONSTRUCTION



# Category 6A Unshielded MTPL Field Termination Plug

ETL Verified Compact Design for Blade and IoT Devices

## ELECTRICAL SPECIFICATIONS

|                        |                            |
|------------------------|----------------------------|
| Current Rating         | 1.5Amp max                 |
| Dielectric Strength    | 1000 V, AC RMS, 60 Hz/1min |
| Insulation Resistance  | 500 M-ohm                  |
| Contact Resistance     | 20 m-ohm                   |
| Termination Resistance | 2.5 m-ohm                  |
| Voltage Rating         | 150 VAV max                |

## MATERIAL SPECIFICATIONS

|                                |  |
|--------------------------------|--|
| RJ45 8-Pin Connector           | FCC part 68, subpart F and IEC-60603-7, EN 28877 Compliant |
| Wiring Diagram                 | T568A and T568B  |
| Spring Wire                    | Phosphor Bronze with 50µ" Gold over 100µ" Nickel Undercoat |
| Durability                     | 750 mating cycles  |
| Compatible Cables              | SFTP/FFTP 23-26 AWG, Solid / Stranded                      |
| Admissible Insulation Diameter | 0.8mm - 1.47mm   |
| Admissible Cable Diameter      | 6.0mm - 8.5mm  |
| Housing                        | Polycarbonate, UL94V.0 Flame Retardant                     |
| IDC Blades                     | Phosphor Bronze with 50µ" Gold over 60µ" Nickel Undercoat  |
| Printed Circuit Board          | FR4  |
| IDC Terminals                  | Phosphor Bronze 0.5t, plated with 60µ" Nickel              |
| Wire Organizer                 | ABS Polycarbonate, UL94V.0 Flame Retardant                 |
| Plug Latch                     | Polycarbonate, UL94V.0 Flame Retardant                     |
| Strain Relief                  | Polycarbonate, UL94V.0 Flame Retardant                     |
| Operating Temperature          | -10°C to 60°C  |
| Storage Temperature            | -40°C to 68°C  |
| Humidity                       | 10% to 90% RH  |

## TRANSMISSION PERFORMANCE

| Frequency (MHz) | Attenuation (Db) | NEXT (dB) | Return Loss (dB) |
|-----------------|------------------|-----------|------------------|
| 1               | 0.03             | 74.3      | 20.0             |
| 4               | 0.04             | 65.3      | 23.0             |
| 10              | 0.05             | 59.3      | 25.0             |
| 16              | 0.06             | 56.3      | 25.0             |
| 20              | 0.06             | 54.8      | 25.0             |
| 31.25           | 0.07             | 51.9      | 23.6             |
| 62.5            | 0.09             | 47.4      | 21.5             |
| 100             | 0.10             | 44.3      | 20.1             |
| 150             | 0.13             | 41.4      | 18.8             |
| 200             | 0.16             | 39.8      | 18.0             |
| 250             | 0.19             | 38.3      | 17.3             |
| 500             | 0.30             | 40.0      | 14.0             |

## STANDARDS/COMPLIANCE

ANSI/TIA/EIA-568-C.2 Category 6A with the applicable electrical transmission characteristics  
 ISO/IEC Generic Cabling Standard 11801 Class EA  
 IEC 60603-7: Electrical Characteristics of the Telecommunication Outlets  
 TIA/EIA TSB-40 requirements  
 Supports IEEE 802.3af/802.3at (PoE/PoE+) and 802.3bt type 3 and type 4  
 PoE++ Applications, Supports Power over HDBaseT up to 100 watts  
 CENELEC Generic Cabling Standard EN50173 – 1:2002  
 RoHS Compliant

## TYPICAL APPLICATIONS

100BASE-TX Fast Ethernet, 1000BASE-T Gigabit Ethernet  
 IoT, PoE, PoE+, PoE++, Token Ring, 155 Mbps ATM, Composite Video, 622 Mbps ATM  
 IP Security Cameras, Network Recorders, Motion Sensors, Access Control, Audio Video Devices  
 Network Switches, Blade Servers, Wireless Access Points (WAPs)  
 Power over Ethernet (PoE) LED Lighting

## ORDERING INFORMATION

| Part Number | Description   |
|-------------|---|
| INFC6AURBL1 | Infinique Cat.6A Unshielded MTPL Field Termination Toolless RJ-45 Plug, Cable OD 6 to 8.5 mm, ETL Certified |

Packaging: 1 Field Termination Plugs packed in one bag.



Infinique, a Canadian company is a manufacturer of high performing end-to-end solutions in copper, fiber and video surveillance systems. For more information visit our website at [www.infinique.com](http://www.infinique.com) or email us at [sales@infinique.com](mailto:sales@infinique.com).