

## CN Series Network Racks

Dimensions 800 (w) x 1000 (d) Height 12 to 47U

Infinique's CN Series Network Racks are produced by combining aesthetic design and sturdy construction with ease of installation. These cabinets can accommodate all 19 inch standard rack-mountable equipment used in Data Centers, Server Rooms, Telecom Rooms, and Broadcast applications. The racks manufactured in compliance with the industry's internationally acceptable manufacturing standards reflect the high quality of products.

With glass front doors and metal rear doors are spring loaded with hinge system that can be easily detached and comes with a lock module. These racks offers 600kg loading capacity, with height options ranging from 12U to 47U.

### CONSTRUCTION

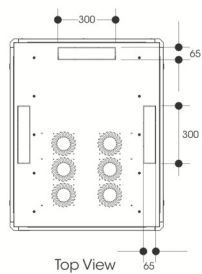
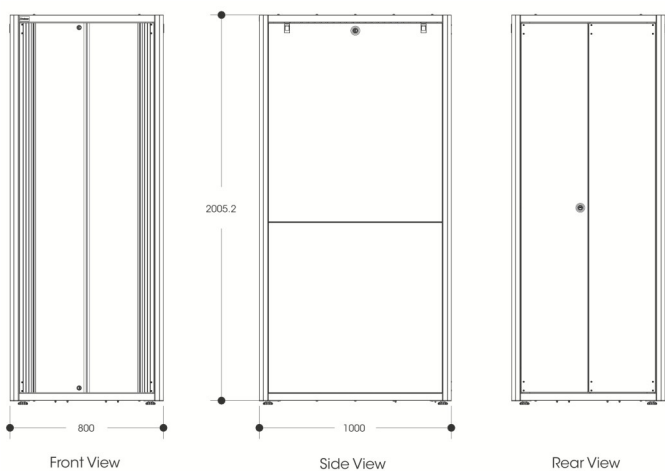


### Features and Benefits

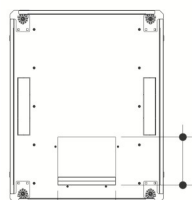
- **Industry Standards**  
ANSI/EIA RS-310-D, IEC297-2, DIN41494-1, DIN41497-1,ETSI
- **Rugged Construction**  
Steel Welded Construction with connected four-corner to ensure stability, perforated front and rear doors with and integrated locking mechanism
- **Adequate Ventilation**  
Four fan ventilation units with ventilation doors gives high ventilation rate and ventilation area that meets the heat dissipation requirements
- **Fast Installation**  
Comes standard with 4 Fans Tray, 1 x Fixed Shelf, 1 x 6 Way 13 Amps PDU, baying kit, adjustable feet for fast installation

# CN Series Network Racks

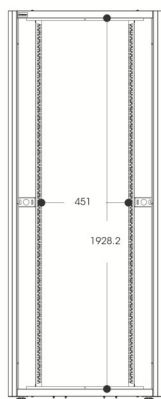
Dimensions 800 (w) x 1000 (d) Height 12 to 47U



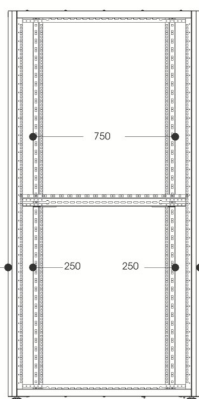
Top View



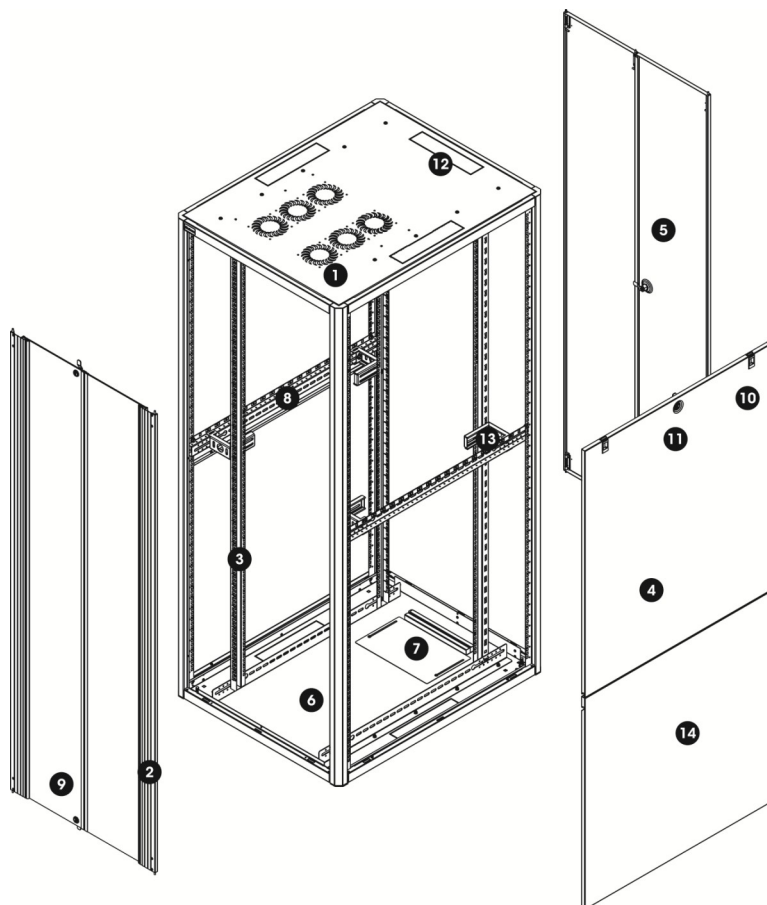
Bottom View



Front View



Side View



- 1: Ventilated Top Panel
- 2: Aluminum Framed Front Glass Door
- 3: 19" Device Mounting Rails
- 4: Side Upper Panel
- 5: Straight Metal Rear Double Doors
- 6: Bottom Panel
- 7: Bottom Sliding Cable Hole
- 8: Side Support Bars
- 9: Front Door Lock
- 10: Side Panel Sliding Lock
- 11: Side Panel Barrel Lock
- 12: Top Panel Micro-joint Cable Hole
- 13: Omega
- 14: Side Lower Panel

# CN Series Network Racks

Dimensions 800 (w) x 1000 (d) Height 12 to 47U

SPECIFICATIONS								
Rack Units	Product Dimensions W x D x H (mm)	Package Dimensions W x D x H (mm)	Product Net Wt (Kg)	Product Gross Wt (Kg)	Height with Levelling Feet/Castors	Pallet Dimensions W x D x H (mm)	Pallet Wt (Kg)	Loading Capacity (Kg)
12U	800 x 1000 x 719	880 x 1080 x 849	46	53	779	880 x 1080 x 849	53	600
16U	800 x 1000 x 897	880 x 1080 x 1037	55.4	63.7	957	880 x 1080 x 1037	63.7	600
20U	800 x 1000 x 1075	880 x 1080 x 1215	65	74.6	1135	880 x 1080 x 1215	74.6	600
22U	800 x 1000 x 1164	880 x 1080 x 1305	69.6	80	1224	880 x 1080 x 1305	80	600
26U	800 x 1000 x 1342	880 x 1080 x 1482	79	91	1402	880 x 1080 x 1482	91	600
32U	800 x 1000 x 1608	880 x 1080 x 1748	93.3	105.4	1668	880 x 1080 x 1748	105.4	600
36U	800 x 1000 x 1786	880 x 1080 x 1926	103	116	1846	880 x 1080 x 1926	116	600
42U	800 x 1000 x 2053	880 x 1080 x 2193	117	132	2113	880 x 1080 x 2193	132	600
47U	800 x 1000 x 2275	880 x 1080 x 2415	129	141	2334	880 x 1080 x 2415	141	600

ORDERING INFORMATION	
Part Number	Description
INR80W100D12-BK-C	Infinique CN Series Rack, Glass Door, W 800, D 1000, 12U, Black, 4 Fans Tray, 1 x Fixed Shelf, 1 x 6 Way 13 Amps
INR80W100D16-BK-C	Infinique CN Series Rack, Glass Door, W 800, D 1000, 16U, Black, 4 Fans Tray, 1 x Fixed Shelf, 1 x 6 Way 13 Amps
INR80W100D20-BK-C	Infinique CN Series Rack, Glass Door, W 800, D 1000, 20U, Black, 4 Fans Tray, 1 x Fixed Shelf, 1 x 6 Way 13 Amps
INR80W100D22-BK-C	Infinique CN Series Rack, Glass Door, W 800, D 1000, 22U, Black, 4 Fans Tray, 1 x Fixed Shelf, 1 x 6 Way 13 Amps
INR80W100D26-BK-C	Infinique CN Series Rack, Glass Door, W 800, D 1000, 26U, Black, 4 Fans Tray, 1 x Fixed Shelf, 1 x 6 Way 13 Amps
INR80W100D32-BK-C	Infinique CN Series Rack, Glass Door, W 800, D 1000, 32U, Black, 4 Fans Tray, 1 x Fixed Shelf, 1 x 6 Way 13 Amps
INR80W100D36-BK-C	Infinique CN Series Rack, Glass Door, W 800, D 1000, 36U, Black, 4 Fans Tray, 1 x Fixed Shelf, 1 x 6 Way 13 Amps
INR80W100D42-BK-C	Infinique CN Series Rack, Glass Door, W 800, D 1000, 42U, Black, 4 Fans Tray, 1 x Fixed Shelf, 1 x 6 Way 13 Amps
INR80W100D47-BK-C	Infinique CN Series Rack, Glass Door, W 800, D 1000, 47U, Black, 4 Fans Tray, 1 x Fixed Shelf, 1 x 6 Way 13 Amps

Change 'BK' in part number to 'GY' for Gray Color Network Racks.