

INV502F-RWTN

5 Megapixel Premium Series WDR IR Dome Camera with Fixed Lens

Infinique offers a wide range of IP based high definition cameras available in housing formats, including Dome, Bullet, Box and PTZ. Our cameras are equipped with superior image sensor and digital signal processor to produce sharp, crisp pictures and are enclosed in weather and vandal resistant housings making it suitable for use in all security applications. The ONVIF compliance of the cameras helps in easy integration, providing peace of mind for your investment. From small to very large installations, Infinique's cameras are reliable, future proof and an ideal solution for your video surveillance needs.

The INV502F-RWTN is a 5 Megapixel high resolution WDR IR Dome Camera with fixed lens. It is built with a aluminum and plastic housing, incorporating a high quality image sensor and IR LEDs to provide clear crisp images both during the Day and Night.

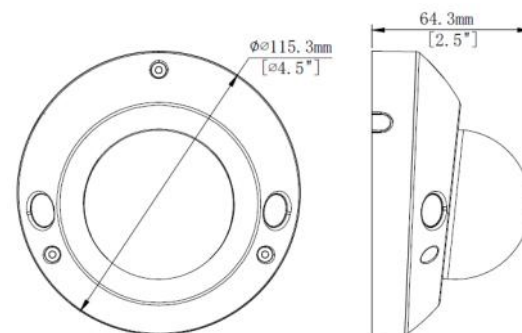
The camera comes equipped with a standard 2.8mm fixed lens. The camera streams real-time video at high definition resolution using H.264 or H.265 compression optimizing the bandwidth and increasing storage efficiency.

Built-in PoE for powering the camera and the flexible 3-axis bracket for fixing it on ceiling or wall, provides the convenience for installers to complete the installation quickly and with ease. These excellent IP cameras are highly suitable for video surveillance of government buildings, residential apartments, schools, colleges, universities, shopping malls, hospitals, hotels, industrial parks, and corporate offices.



ONVIF

Dimensions



Product Features

- 1/2.7" Progressive Sensor
- 5 Megapixel Resolution
- IR Distance 20 meters
- 2.8mm Fixed Lens
- 130dB True WDR
- H.265, H.264 Compressions
- Up to 3 Simultaneous Video Streams
- S/N Ratio of more than 50dB
- Micro SD Card Slot for Onboard Storage
- Two Way Audio, Alarm I/O
- Power Over Ethernet (PoE), IEEE 802.3af
- IP67 Ratings
- Vandal Proof Aluminum Alloy Housing
- Wall or Ceiling Mount with 3 Axis Bracket
- ONVIF Compliant

INV502F-RWTN

5 Megapixel Premium Series WDR IR Dome Camera with Fixed Lens



IMAGE PERFORMANCE		NETWORK	
Image Sensor	1/2.7" Progressive Sensor	Network Port	10/100M BASE-TX, RJ-45 Connector
Effective Pixels (H x V)	2592 x 1944	Cabling Type	Category 6 and higher
Resolution (Megapixels)	5	Network Protocol	IPv4, HTTP, HTTPS, TCP/IP, Unicast/Multicast, UDP, RTP, RTSP, RTCP, DNS, DDNS, DHCP, FTP, NTP, PPPOE, SMTP, SNMP, UPNP, IEEE802.1X
Minimum Illumination	0.002 lux (AGC ON) 0 lux with IR ON	ONVIF Protocol	ONVIF Compliant
Image Rate (FPS)	30	Security	User Access with password protection, IP Filtering
S/N Ratio	More than 50dB	Users	1 Administrator, 6 Users
IR Distance (meters)	20	Simultaneous Viewing	Up to 5 users
LENS		PC Web Browser	IE 6.0 Above; Mozilla Firefox; Google Chrome
Focal Length (mm)	2.8mm Fixed Lens	Mobile Device	Windows Mobile, Symbian, iPhone, Android
Iris	DC Auto Iris, Manual	Events	Motion, Tamper Detection, Sensor, Network Failure
Aperture Ratio	F1.6	Event Handlers	FTP, E-mail, Local Storage
Angle of View (deg)	H:110, V:58 (Wide)	MECHANICAL	
VIDEO AND AUDIO		Housing ID	V4DIPWH670720A1
Video Compression	H.265 Main Profile H.264 Baseline Profile/Main Profile/High Profile	Dimensions (ØD x H mm)	Ø115 x 64
Main Stream	2592 x 1944, 2592 x 1520, 2048 x 1520, 1920 x 1080, 1280 x 960, 1280 x 720	Weight (g)	270
Sub Stream	1280 x 720, 640 x 480, 320 x 240	Housing	Vandal Resistant Aluminum Alloy and Plastic Housing
Mobile Stream	640 x 480, 320 x 240	Finish	White Powder Coat, RAL 9003
Electronic Shutter Control	1/5 ~ 1/20,000 sec	Installation	Ceiling Mount / Wall Mount, 3-Axis Concealed Bracket
Day/Night Control	True Day/Night with IR Cut Filter	ELECTRICAL	
Flicker Control	50 Hz, 60 Hz	Power Consumption	440mA, 12V DC, 5.28 Watts
True WDR	130dB, On / Off / Adjustable Level	Power Source	PoE IEEE802.3af; DC 12V
3D Noise Reduction	Auto / Manual / Disable	Power Connector	DC Male Plug
White Balance	Automatic / Manual	RTC Backup Battery	3V Magnesium Lithium
Back Light Compensation	On / Off	ENVIRONMENTAL	
Automatic Gain Control	Auto/Manual, Adjustable Level	Operating Temperature (C)	-20 to +60
Privacy Mask Zones	Up to 4 Privacy Mask Zones	Storage Temperature (C)	-20 to +60
Audio Compression	Not Applicable	Operating Humidity	0% - 95% non condensing
Audio Input/ Output	Not Available	Ingress Protection Rating	IP67
Video Output	2 pin terminal block	Impact Rating	IK07
Video Bit rate	256K-8M ,Supports CBR/VBR	STANDARDS COMPLIANCE	
OSD	Camera ID, Timestamp	Emissions	FCC Part 15 Subpart B Class B EN 55022:2010 IC ICES-003 Class B
Image Orientation	Image Flip, Corridor Mode, Rotation	Immunity	EN 55024:2010
Image Controls	Brightness, Contrast, Hue, Saturation, Sharpness	Safety	UL 609501, EU: 2001/95/EC GSPD
Advanced Functions	Image Rotation, Gain Control, Anti-Fog, Anti-False Color, Anti-Shake, IR Detection		
VIDEO ANALYTICS			
Motion Detection	Multiple Zones		
Advance Video Analytics	Perimeter Intrusion, Line Crossing, Stationary Object, Pedestrian and Vehicle Detection, People Counting, Sound Detection		
LOCAL STORAGE			
Storage Type	Micro SD card, Max up to 256GB		
Recording	Video and Image; Auto / Schedule/ Manual / On Event		

ORDERING INFORMATION	
PART NUMBER	DESCRIPTION
INV502F-RWTN	Infinique Premium Series WDR IR Dome Camera, 5MP, 2.8mm Fixed Lens, IR LED, 20m IR Range, H.265, H.264, MJPEG, 30fps, 130dB True WDR, True Day and Night with ICR, SCHC Slot, ONVIF Compliant, PoE, IP67

Infinique, a Canadian company is a manufacturer of high performing end-to-end solutions in copper, fiber and video surveillance systems. For more information visit our website at www.infinique.com or email us at sales@infinique.com.