

# INV518V-RWTN

## 5 Megapixel Premium Series IP WDR Vandal Dome Camera With IR

Infinique offers a wide range of IP based high definition cameras available in various housing formats, including Box, Dome and Bullet. Our cameras are equipped with superior image sensor and digital signal processor to produce sharp, crisp pictures and are enclosed in weather and vandal resistant housings making it suitable for use in all security applications. The ONVIF compliance of the cameras helps in easy integration, providing peace of mind for your investment. From small to very large installations, Infinique’s cameras are reliable, future proof and an ideal solution for your video surveillance needs.

The INV518V-RWTN is a 5 Megapixel 130dB WDR IR Vandal Dome Camera with a Varifocal Lens. It is built with a vandal resistant aluminum housing, incorporating a 1/2.8” high quality image sensor and IR LEDs to provide clear crisp images both during the Day and Night.

The camera comes equipped with a 6~22mm varifocal lens for easy setup of field of view. The auto iris control allows the camera to automatically set its iris position to maximize image quality in all lighting conditions. The camera streams real-time video at high definition resolution using H.264 or H.265 compression optimizing the bandwidth and increasing storage efficiency.

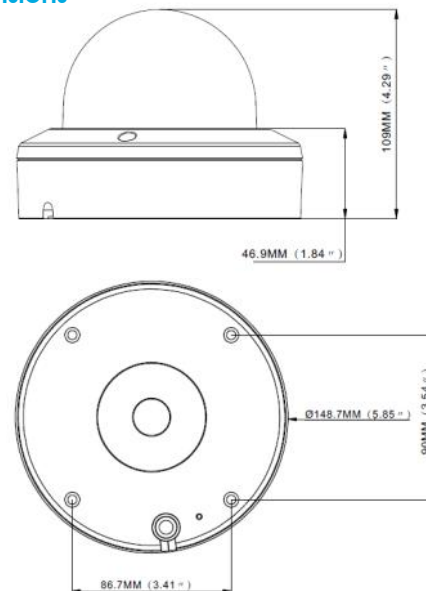
Built-in PoE for powering the camera and the flexible 3-axis bracket for fixing it on ceiling or wall, provides the convenience for installers to complete the installation quickly and with ease. These versatile cameras are suitable for video surveillance of government buildings, residential apartments, schools, colleges, universities, shopping malls, hospitals, hotels, industrial parks, and corporate offices.

### Product Features

- 1/2.8” Progressive Sensor
- 5 Megapixel Resolution
- Up to 30fps at 2592 x 1944, 60fps at 1920 x 1080
- IR Distance up to 30 meters
- 6~22mm Motorized Zoom Lens with DC Auto Iris
- 130dB True WDR
- H.265 and H.264 Compressions
- Up to 3 Simultaneous Video Streams
- S/N Ratio of more than 50dB
- Micro SD Card Slot for Onboard Storage
- Two Way Audio, Alarm I/O
- Power Over Ethernet (PoE), IEEE 802.3af
- IP67 and IK10 Rated Housing
- Vandal Proof Aluminum Alloy Housing
- Wall or Ceiling Mount with 3 Axis Bracket
- ONVIF Compliant



### Dimensions



### Accessories



Part No: IJBDWM-146  
Wall Mount Junction Box



Part No: IBDLWM-2  
Indoor Wall Mount L Bracket



Part No: IJBBCM-146  
Ceiling Mount Junction Box



Part No: IBDCFM-2  
Ceiling Flush Mount Bracket



Part No: IBKTCM  
Pendant Ceiling Bracket



Part No: IBBCPM  
Pole Mount Bracket



Part No: IBCRWM  
Corner Mount Bracket

# INV518V-RWTN

5 Megapixel Premium Series IP WDR Vandal Dome Camera With IR



IMAGE PERFORMANCE		LOCAL STORAGE	
Image Sensor	1/2.8" Progressive Sensor	Storage Type	Micro SD Card, Max up to 256GB
Effective Pixels (H x V)	2592 (H) x 1944(V)	Recording	Video and Image; Auto / Schedule/ Manual / On Event
Resolution (Megapixels)	5	<b>NETWORK</b>	
Minimum Illumination	0.002 lux (AGC ON) 0 lux with IR ON	Network Port	10/100M BASE-TX, RJ-45 Connector
Image Rate (FPS)	30 @5MP, 60 @2MP	Cabling Type	Category 6 and higher
S/N Ratio	More than 50dB	Network Protocol	IPv4, HTTP, HTTPS, TCP/IP, Unicast/Multicast, UDP, RTP, RTSP, RTCP, DNS, DDNS, DHCP, FTP, NTP, PPPOE, SMTP, SNMP, UPNP, IEEEE802.1X
IR Distance (m)	30	ONVIF Protocol	ONVIF Compliant
<b>LENS</b>		Security	User Access with password protection, IP Filtering
Focal Length (mm)	6~22 Varifocal Lens	Users	1 Administrator, 6 Users
Iris	DC Auto Iris	Simultaneous Viewing	Up to 5 users
Lens Mount	M14	PC Web Browser	IE 6.0 Above; Mozilla Firefox; Google Chrome
Aperture Ratio	F1.6	Mobile Device	iOS, Android
Angle of View (deg)	H:42 (Wide)~17 (Tele), V:30 (Wide)~12 (Tele)	Events	Motion, Tamper Detection, Sensor, Network Failure
<b>VIDEO</b>		Event Handlers	FTP, E-mail, Local Storage
Video Compression	H.265 Main Profile H.264 Baseline Profile/Main Profile/High Profile	<b>MECHANICAL</b>	
Main Stream	2592 x 1944, 2592 x 1520, 2048 x 1536, 2304 x 1296, 1920 x 1080, 1280 x 960	Housing ID	V4DIMWH671030A3
Sub Stream	1920 x 1080, 1280 x 720, 640 x 480	Dimensions (mm)	148 (D) x 109 (H)
Mobile Stream	640 x 480, 320 x 240	Weight (g)	950
Electronic Shutter Control	Auto, 1/8 ~ 1/20,000	Housing	Vandal Resistant Aluminum Alloy Housing
Day/Night Control	True Day/Night with IR Cut Filter	Finish	White Powder Coat, RAL 9003
Flicker Control	50 Hz, 60 Hz	Installation	Ceiling Mount / Wall Mount, 3-Axis Bracket
True WDR	130dB Variable Coefficient	<b>ELECTRICAL</b>	
3D Noise Reduction	Auto / Manual / Disable	Power Consumption	440mA, 12V DC, 5.28 W
White Balance	Automatic / Manual	Power Source	PoE IEEE802.3af; DC12V
Back Light Compensation	On / Off	Power Connector	DC Male Plug
Automatic Gain Control	Auto/Manual, Adjustable Level	RTC Backup Battery	3V Magnesium Lithium
Privacy Mask Zones	Up to 4 Privacy Mask Zones	<b>ENVIRONMENTAL</b>	
Alarm IO	1x Input, 1x Output	Operating Temperature (C)	-20 to +60
Audio Input/ Output	Line level input and output, 3.5mm AV Interface	Storage Temperature (C)	-20 to +60
Video Bit rate	256K-8M ,Supports CBR/VBR	Operating Humidity	0% - 95% non condensing
OSD	Camera ID, Timestamp	Ingress Protection Rating	IP67
Image Orientation	Image Flip, Corridor Mode, Rotation	IK Rating	IK10
Image Controls	Brightness, Contrast, Hue, Saturation, Sharpness	<b>STANDARDS COMPLIANCE</b>	
Advanced Functions	Image Rotation, Gain Control, Anti-Fog, Anti-False Color, Anti-Shake, IR Detection, Motion Detection	Emissions	FCC Part 15 Subpart B Class B EN 55022:2010 IC ICES-003 Class B
<b>VIDEO ANALYTICS</b>		Immunity	EN 55024:2010
Motion Detection	Multiple Zones	Safety	UL 609501, EU: 2001/95/EC GPSD
Advance Video Analytics	Tamper, Out Of Focus, Sound, Perimeter Intrusion, Line Crossing, Stationary Object, Pedestrian Detection,		

ORDERING INFORMATION	
PART NUMBER	DESCRIPTION
INV518V-RWTN	Infinique Premium Series Indoor Outdoor WDR IR Dome Camera, 5MP, 6-22mm Varifocal Lens, IR Array LED, 30m IR Range, H.265, H.264, MJPEG, Three Video Streams, 130dB WDR, True Day and Night with ICR, Adjustable Bit Rate, SDHC Slot, ONVIF Compliant, PoE, IP67, IK10
IJDWM-146	Infinique Wall Mount Junction Box, Base Diameter 146 mm
IBDLWM-2	Infinique Indoor Wall Mount L Bracket
IJBBCM-146	Infinique Ceiling Mount Junction Box, Base Diameter 146 mm
IBDCFM-2	Infinique Ceiling Flush Mount Bracket, Hole Diameter 190 mm
IBKTCM	Infinique Pendant Mount Ceiling Bracket, 45 (D) x 294 (H) mm
IBBCPM	Infinique Pole Mount Bracket with Metal Ties, 125 (L) x 46 (W) x 200 (H) mm
IBCRWM	Infinique Corner Mount Bracket, 200 (L) x 130 (W) x 172.8 (D) mm

# INV518V-RWTN

5 Megapixel Premium Series IP WDR Vandal Dome Camera With IR



## Housing Accessories

### WALL MOUNT APPLICATION



Junction Box  
IJDWM-146

### CEILING MOUNT APPLICATION



Junction Box  
IJBCEM-146

### WALL MOUNT APPLICATION



L Bracket  
IBDLWM-2

### PENDANT MOUNT APPLICATION



Ceiling Bracket  
IBKTCM

### FLUSH MOUNT APPLICATION



Ceiling Bracket  
IBDCF-2

### POLE MOUNT APPLICATION



Pole Bracket  
IBBCPM



Junction Box  
IJDWM-146



Junction Box  
IJBCEM-146

### CORNER MOUNT APPLICATION



Corner Bracket  
IBCRWM



L Bracket  
IBDLWM-2



Infinique, a Canadian company is a manufacturer of high performing end-to-end solutions in copper, fiber and video surveillance systems. For more information visit our website at [www.infinique.com](http://www.infinique.com) or email us at [sales@infinique.com](mailto:sales@infinique.com).