

INV811Z-RTS

3 Megapixel IR Varifocal Vandal Dome Camera

Infinique offers a wide range of IP based high definition cameras from 1.4MP to 6MP which are available in Box, Dome and Bullet housing. Our cameras are equipped with superior image sensor and digital signal processor to produce sharp, crisp pictures and are enclosed in weather-proof vandal resistant housing making it suitable for use in different types of applications. The ONVIF compliance of our cameras helps in easy integration, providing peace of mind for your investment. From small to very large installations, Infinique's cameras are reliable, future proof and an ideal solution for your video surveillance needs.

The INV811Z-RTS is a 3 Megapixel IR Vandal Dome Camera with weather-proof vandal resistant aluminum housing, incorporating a 1/3" high quality image sensor and IR LEDs it provides clear crisp images both during the day and night.

The camera comes equipped with 2.8~8mm motorized zoom lens for easy setup of field of view. The auto iris control allows the camera to automatically set its iris position to maximize image quality in all lighting conditions. The camera streams real-time video at high definition resolution using H.264 or H.265 compression optimizing the bandwidth and increasing storage efficiency.

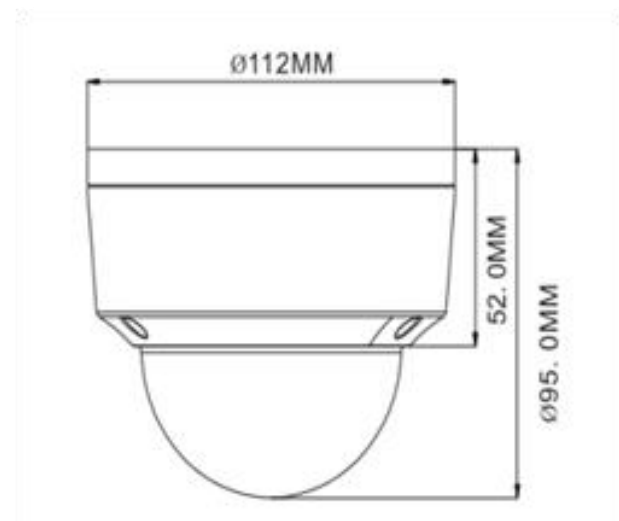
Built-in PoE for powering the camera and the flexible 3-axis bracket for fixing it on ceiling or wall, provides the convenience for installers to complete the installation quickly and with ease. These versatile cameras are highly suitable for video surveillance of government buildings, residential apartments, schools, colleges, universities, shopping malls, hospitals, hotels, industrial parks, and corporate offices.

Product Features

- 1/3" Progressive Sensor
- 3 Megapixel Resolution at 25/30 fps
- H.265, H.264 Compressions
- 2.8~8mm Motorized Zoom Lens
- Up to 3 Simultaneous Video Streams
- S/N Ratio of more than 50dB
- Digital WDR
- IR LED, IR Distance up to 35 meters
- Micro SD Card Slot for Onboard Storage
- Power Over Ethernet (PoE), IEEE 802.3af
- IP66 and IK10 Rated Housing
- Wall or Ceiling mount with 3 Axis Bracket
- ONVIF Compliant




Dimensions



INV811Z-RTS

3 Megapixel IR Vandal Dome Camera



IMAGE PERFORMANCE		NETWORK	
Image Sensor	1/3" Progressive Sensor	Network Port	10/100M BASE-TX, RJ-45 Connector
Effective Pixels (H x V)	2048 x 1536	Cabling Type	Category 6 and higher
Resolution (Megapixels)	3	Network Protocol	IPv4, HTTP, HTTPS, TCP/IP, Unicast/Multicast, UDP, RTP, RTSP, RTCP, DNS, DDNS, DHCP, FTP, NTP, PPPOE, SMTP, SNMP, UPNP, IEEE802.1X
Minimum Illumination	0.05 lux (AGC ON) 0 lux with IR ON	ONVIF Protocol	ONVIF Compliant
Image Rate (FPS)	25 / 30, adjustable for all resolutions	Security	User Access with password protection, IP Filtering
S/N Ratio	More than 50dB	Users	1 Administrator, 6 Users
IR Distance (m)	35	Simultaneous Viewing	Up to 5 users
LENS		PC Web Browser	IE 6.0 Above; Mozilla Firefox; Google Chrome
Focal Length (mm)	2.8--8 Motorized Zoom Lens	Mobile Device	Windows Mobile, Symbian, iPhone, Android
Iris	DC Auto Iris	Events	Motion, Tamper Detection, Sensor, Network Failure
Lens Mount	M14	Event Handlers	FTP, E-mail, Local Storage
Aperture Ratio	F1.2	MECHANICAL	
Angle of View (deg)	H:108.6 (Wide)--31.8 (Tele), V:81.4 (Wide)--23.5 (Tele)	Housing ID	V4DIMWH660830S1
VIDEO		Dimensions (mm)	112 (D) x 95 (H)
Video Compression	H.265 Main Profile H.264 Baseline Profile/Main Profile/High Profile	Weight (g)	499
Main Stream	2048x1536, 2304x1296, 1920x1080, 1280x960, 1280x720	Housing	Vandal Resistant Aluminum Alloy Housing
Sub Stream	1280x720, 640x480, 320x240 (optional 1920x1080)	Finish	White Powder Coat, RAL 9003
Mobile Stream	640 x 480, 320 x 240	Installation	Ceiling Mount / Wall Mount, 3-Axis Bracket
Electronic Shutter Control	1/5 ~ 1/20,000 sec	ELECTRICAL	
Day/Night Control	True Day/Night with IR Cut Filter	Power Consumption	580mA, 12V DC, 7W
Flicker Control	50 Hz, 60 Hz	Power Source	PoE IEEE802.3af; DC12V
Digital WDR	100dB, On / Off / Adjustable Level	Power Connector	DC Male Plug
3D Noise Reduction	Auto / Manual / Disable	RTC Backup Battery	3V Magnesium Lithium
White Balance	Auto / Manual / Indoor	ENVIRONMENTAL	
Backlight Compensation	On / Off	Operating Temperature (C)	-20 to +50
Automatic Gain Control	Off / High / Mid / Low	Storage Temperature (C)	-20 to +60
Privacy Mask Zones	Up to 4 Privacy Mask Zones	Operating Humidity	0% - 95% non condensing
Video Bit rate	256K-8M , Supports CBR/VBR	Ingress Protection Rating	IP66
OSD	Camera ID, Timestamp	IK Rating	IK10 Vandal Protection
Image Orientation	Lens Flip, Image Flip, Corridor Mode, Rotation	STANDARDS COMPLIANCE	
Image Controls	Hue, Brightness, Contrast, Saturation, Sharpness	Emissions	FCC Part 15 Subpart B Class B EN 55022:2010 IC ICES-003 Class B
Advanced Functions	Image Rotation, Gain Control, Anti-Fog, Anti-False Color, Anti-Shake, IR Detection	Immunity	EN 55024:2010
VIDEO ANALYTICS		Safety	UL 609501, EU: 2001/95/EC GPSD
Motion Detection	Multiple Zones		
Advance Video Analytics	Tamper, Out Of Focus, Sound, Perimeter Intrusion, Line Crossing, Stationary Object, Pedestrian Detection, People Counting, Face Detection		
LOCAL STORAGE			
Storage Type	Micro SD card, Max up to 128GB		
Recording	Video and Image; Auto / Schedule/ Manual / On Event		

ORDERING INFORMATION	
PART NUMBER	DESCRIPTION
INV811Z-RTS	Infinique Premium Series Indoor Outdoor IR Dome Camera, 1/3 CMOS Sensor, 3MP, 25/30 fps, 2.8-8mm Motorized Zoom Lens, IR Array LED, 35m IR Range, H.265, H.264, D-WDR, True Day and Night with ICR, Adjustable Bit Rate, ONVIF Compliant, PoE, IP66, IK10

Infinique, a Canadian company is a manufacturer of high performing end-to-end solutions in copper, fiber and video surveillance systems. For more information visit our website at www.infinique.com or email us at sales@infinique.com.